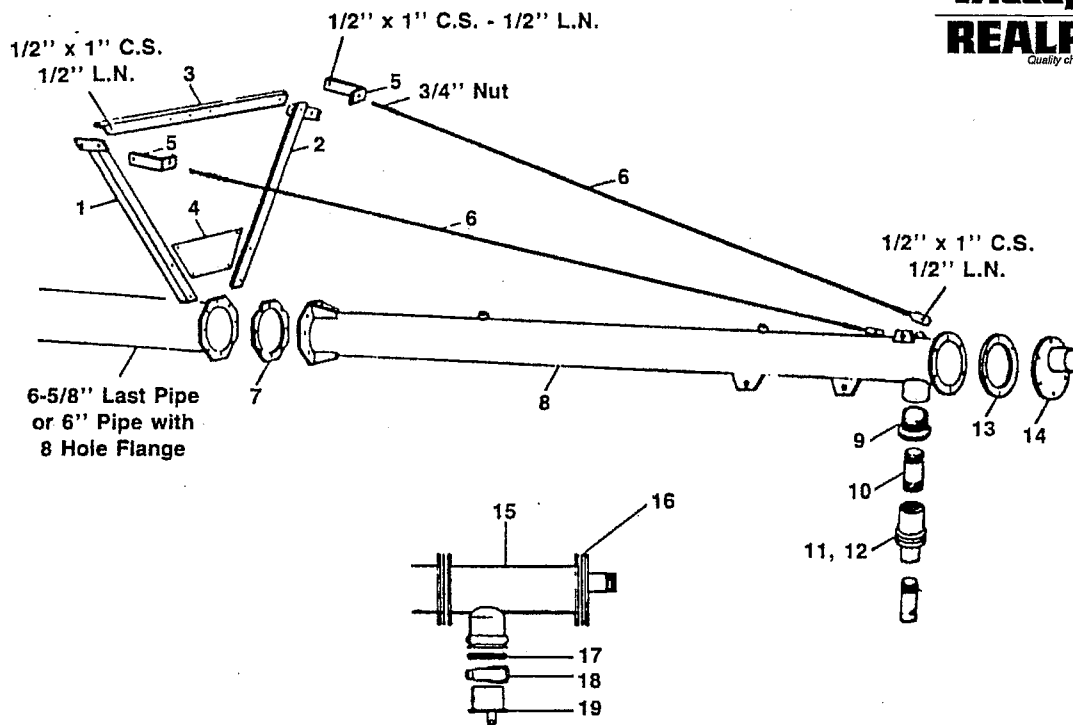


**6000 LINEAR  
SECTION 6 - OVERHANGS**



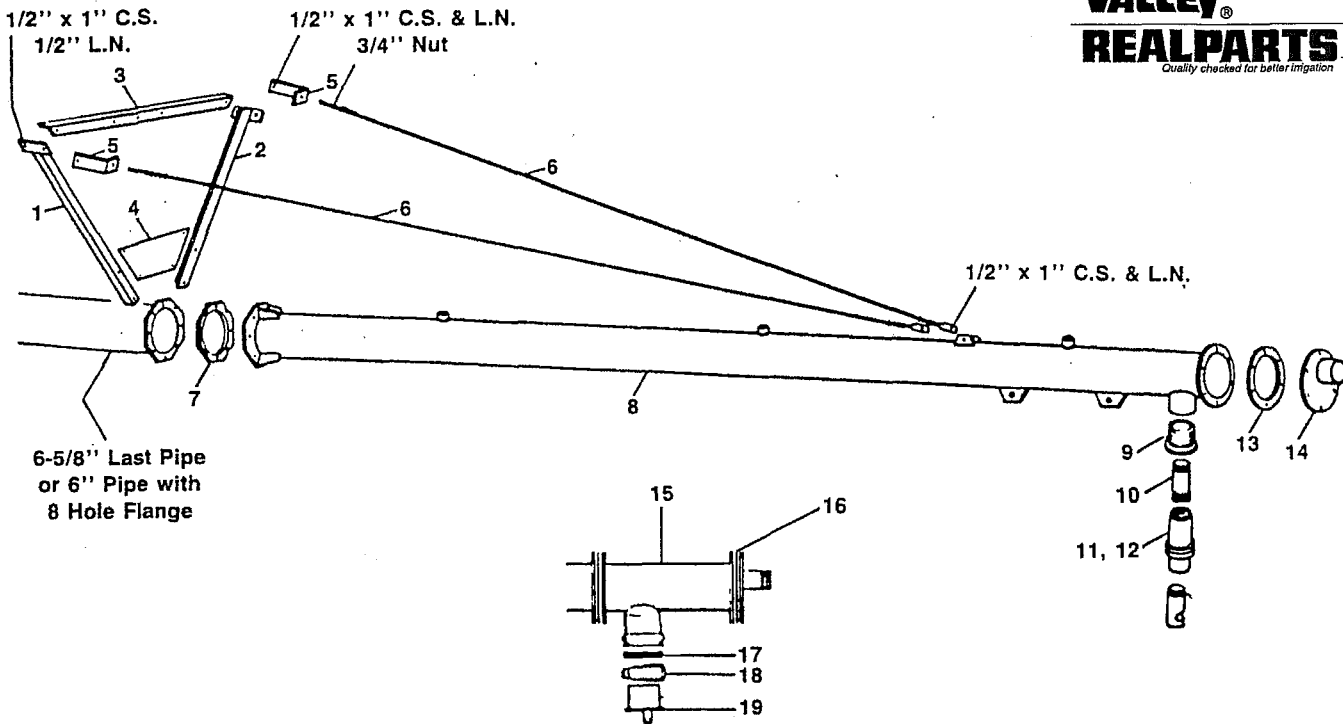
Description	Rev. #	Pg. #
16' Overhang .....	3-04	6-1
26' Overhang .....	3-04	6-2
42' Overhang .....	3-04	6-3
84' Overhang .....	3-04	6-4
Overhang Back Cables & Access. ....	3-04	6-5
Standardized 18' Overhang .....	3-04	6-6
Standardized 27' Overhang .....	3-04	6-7
Standardized 36' Overhang .....	3-04	6-8
Standardized 36' Overhang - 30" & 40" Spacing.....	3-04	6-9
Standardized 54' Overhang .....	3-04	6-10
Standardized 64' Overhang .....	3-04	6-11
Standardized 82' Overhang .....	3-04	6-12
Back Cables .....	3-04	6-13
Cable Chart .....	3-04	6-14
Cable Chart .....	3-04	6-15





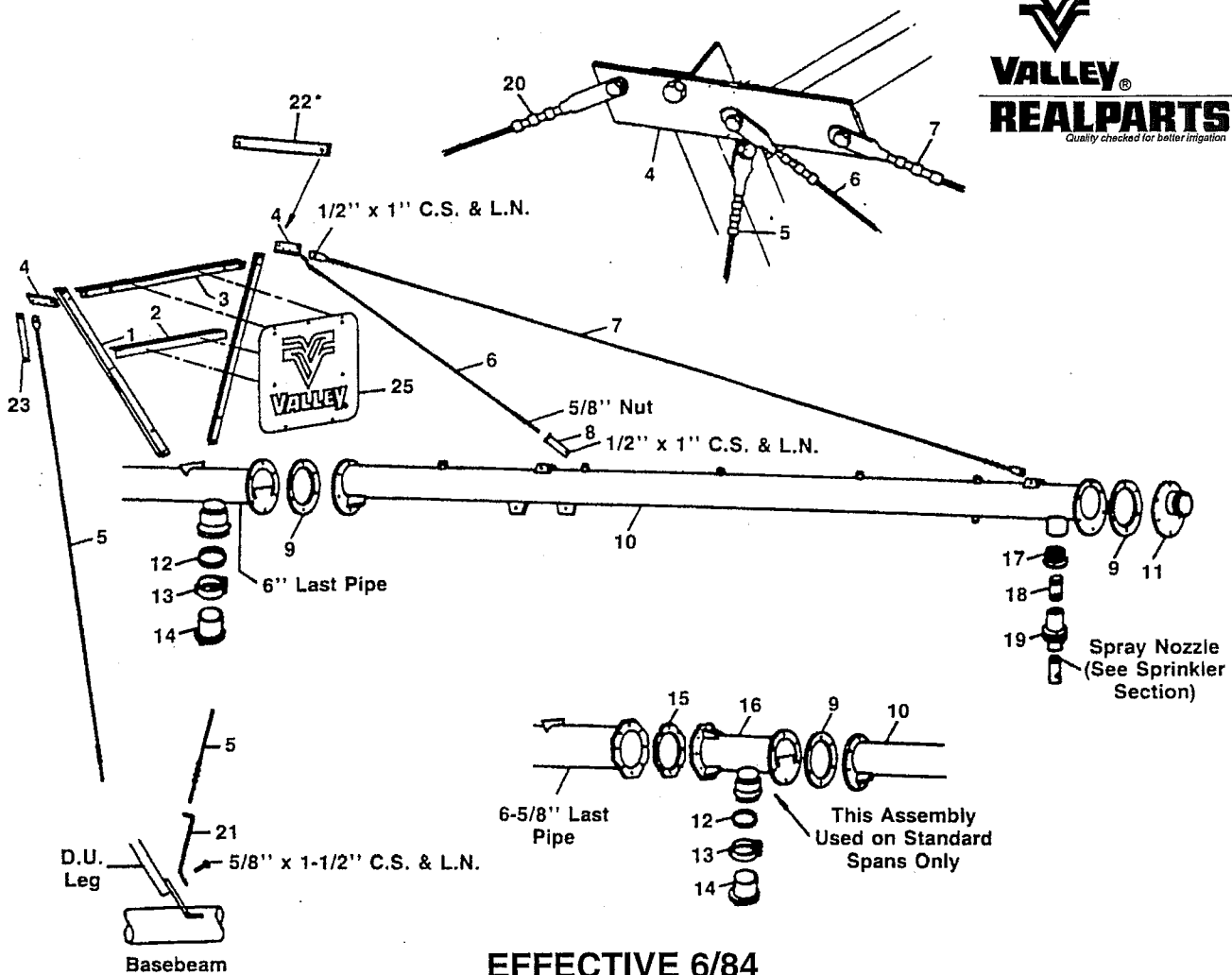
NOTE: All pipes and endplates assembled with 1/2" x 2" C.S.s and Lock Nuts. See page 6-5 for Overhang Support (Back) Cables.

ITEM	DESCRIPTION	PART #	
1	1 L.H. Overhang Truss - 4'	1701852	} 5309 Pkg.
2	R.H. Overhang Truss - 4'	1701851	
3	Strap -5'8"	1701849	
4	Gusset	1701641	
5	1/2" "L" Bracket	1900024	
6	#45 Support Cable - 14'9"	1703616	
7	6" Urethane Gasket	0994469	
8	16' Overhang Pipe	1730362	
8a	16' Overhang Pipe (30" Spacing)	1703221	
8b	16' Overhang Pipe (40" Spacing)	1703234	
9	2" x 1" Bushing	0244028	
10	1" x 3" Nipple	0211035	
11	Medium Flow Pressure Regulator	0231020	
12	Low Flow Pressure Regulator	0231023	
13	6" Flat Gasket	0991016	
14	6" End Plate Assy.	1922000	
15	Short Pipe Flush Out 6"	1702639	
16	6" Pipe Gasket	0991016	
17	6" Pierce Gasket	0221015	
18	Circle Lock	0992318	
19	Pipe Line Drain	1703157	



**NOTE:** All Pipes and Endplates assembled with 1/2" x 2" Bolts and 1/2" Lock Nuts. See page 6-5 for Overhang Support (Back) Cables.

ITEM	DESCRIPTION	PART #	
1	L.H. Overhang Truss - 4'	1701852	} 5309 Pkg.
2	R.H. Overhang Truss - 4'	1701851	
3	Strap -5'8"	1701849	
4	Gusset	1701641	
5	1/2" "L" Bracket	1900024	
6	#10 Support Cable	1941000	
7	6" Urethane Gasket	0994469	
8	26' Overhang Pipe	1730363	
8a	26' Overhang Pipe (30" Spacing)	1703346	
8b	26' Overhang Pipe (40" Spacing)	1703235	
9	2" x 1" Bushing	0244028	
10	1" x 3" Nipple	0211035	
11	Medium Flow Pressure Regulator	0231020	
12	Low Flow Pressure Regulator	0231023	
13	6" Flat Gasket	0991016	
14	6" End Plate Assy.	1922000	
15	Short Pipe Flush Out 6"	1702639	
16	6" Pipe Gasket	0991016	
17	6" Pierce Gasket	0221015	
18	Circle Lock	0992318	
19	Pipe Line Drain	1703157	

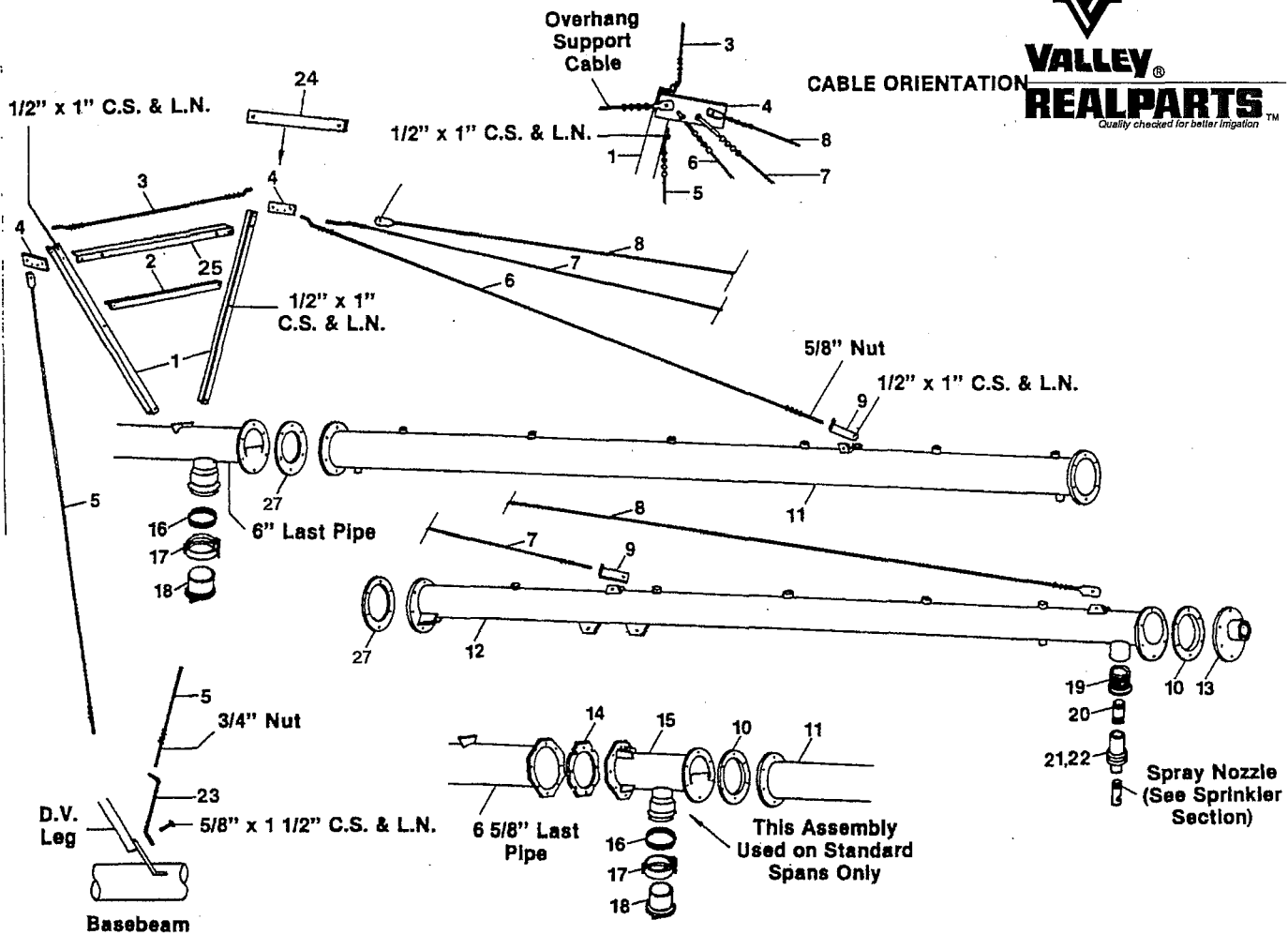


**EFFECTIVE 6/84**

**NOTE:** All Pipes and Endplates assembled with 1/2" x 2" Bolts and 1/2" Lock Nuts. Cables not shown in pairs for clarity. See page 6-5 for Overhang Support (Back) Cables.

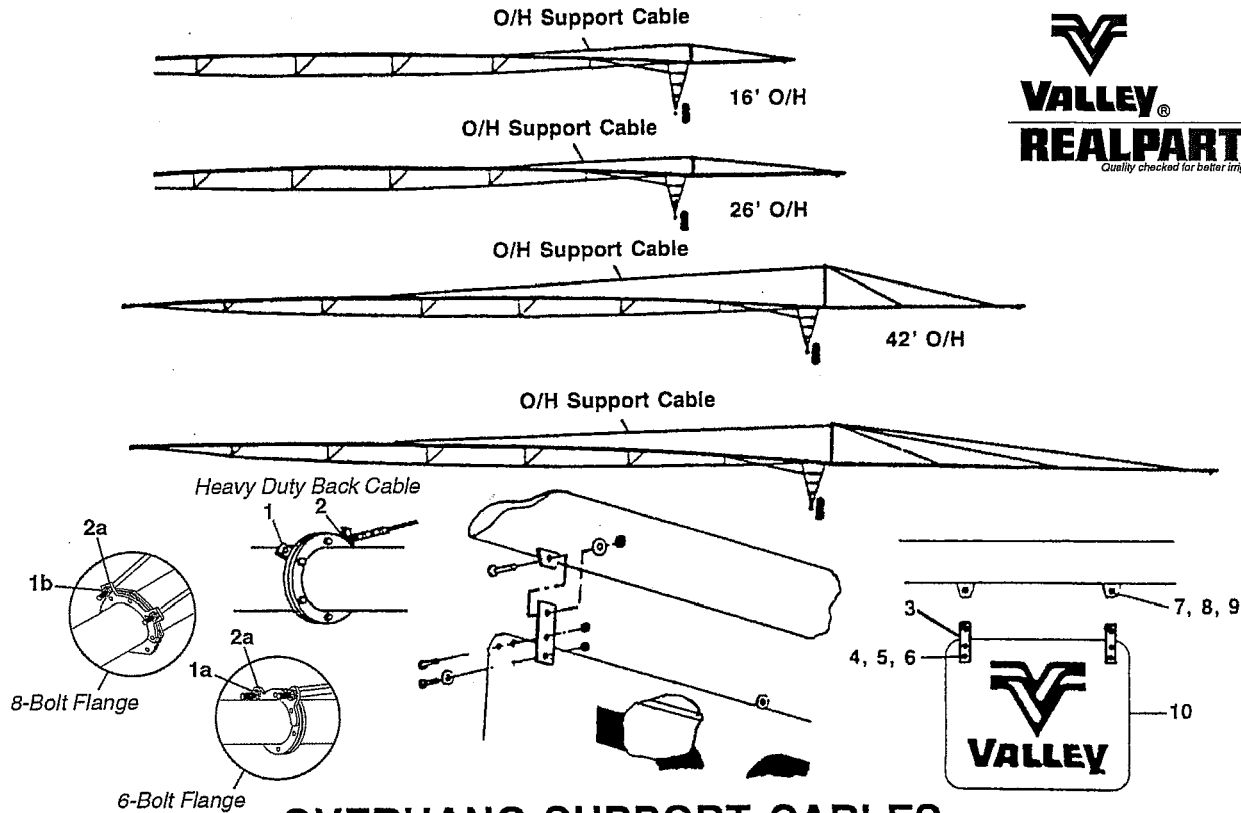
ITEM	DESCRIPTION	PART #	ITEM	DESCRIPTION	PART #
1	Overhang Support Angle .....	1703071	11	4" Angled End Plate .....	1702066
2	Lower Spreader Support .....	1703742	12	4" Pierce Gasket .....	0221010
3	Upper Support .....	1703070	13	Circle Lock Ring .....	0992084
4	Attachment Ear .....	1703073	14	Pipe Line Drain .....	1702117
*5	Overhang Support Cable .....	1703616	15	6 5/8" Urethane Gasket .....	0991107
	(Standard and High Profile)		16	8 Hole to 6 Hole O/H Ext. ....	1702137
	Overhang Support Cable .....	1703317	17	2" x 1" Bushing .....	0244028
	(Low Profile)		18	1" x 3" Nipple .....	0211035
6	Overhang Cable .....	1702273	19	See Page 6-42 & 6-42.1	
7	Overhang Cable .....	1703075	20	Back Cable .....	1703074
8	"L" Bracket .....	1900024	*21	Cable Attach. Brkt. (Std.) .....	1700975
9	6" Flat Gasket .....	0991016	22	Cable Ext. Strap .....	1703072
10	42' Overhang Pipe .....	1730365	23	Cable Ext. (High Profile) .....	1703072
10a	42' Overhang Pipe (30" Spacing) .....	1703224	24	Overhang 42' w/o Back Cables .....	0000A91
10b	42' Overhang Pipe (40" Spacing) .....	1703236	25	Sign .....	0994310

\* Included in Kit A73



**NOTE:** All Pipes and Endplates assembled with 1/2" x 2" Bolts and 1/2" Lock Nuts. Cables not shown in pairs for clarity. See page 6-5 for Overhang Support (Back) Cables.

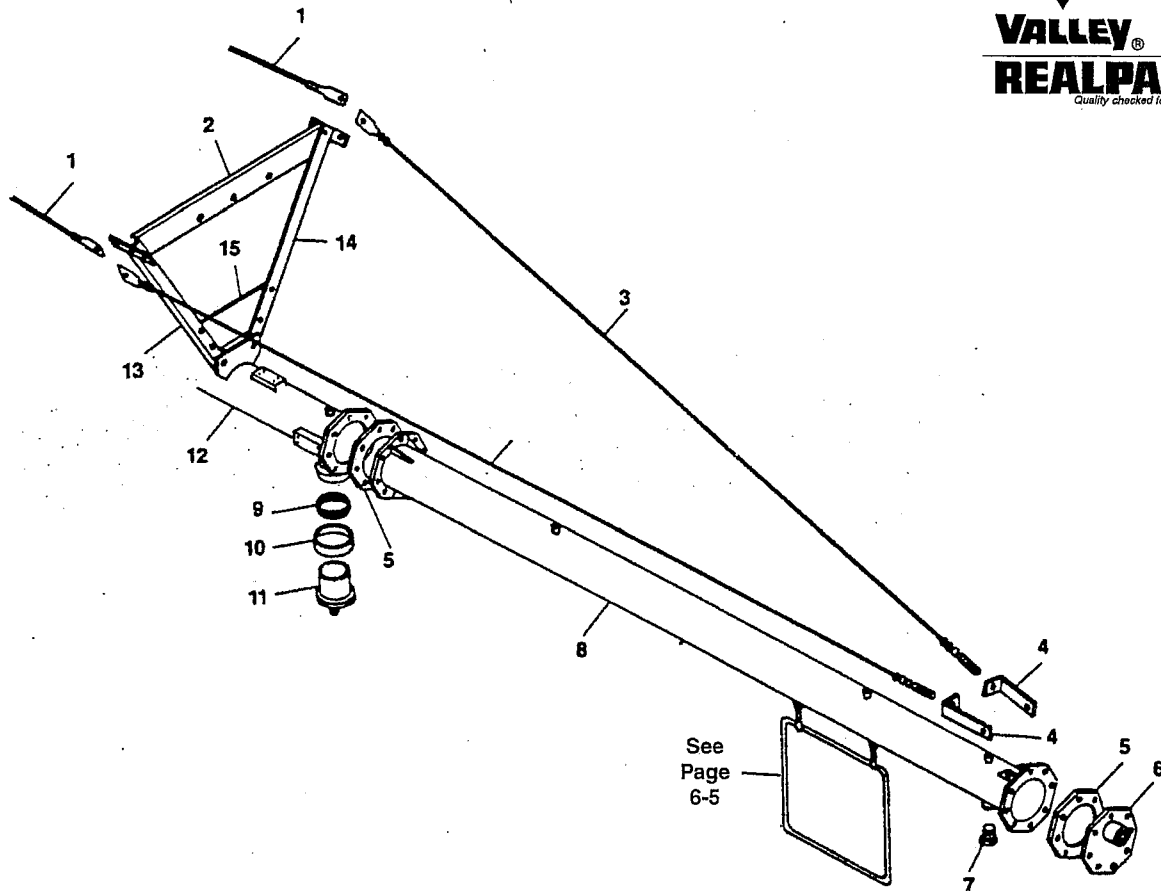
ITEM	DESCRIPTION	PART #	ITEM	DESCRIPTION	PART #
1	Overhang Support Angle - 14'-3/4"	1700982	13	4" Angled End Plate	1702066
2	Nameplate Support - 6'-1"	1701021	14	6 5/8" Urethane Gasket	0991107
3	#36 Spreader Cable - 22'	1700976	15	8 Hole to 6 Hole Extension	1702137
4	Attachment Ear	1702069	16	4" Pierce Gasket	0221010
5	#10 Support Cable (Std.) 19'-6"	1941000	17	Circle Lock Ring	0992084
	#53 Cable (Low Profile) 15'-11"	1702273	18	Pipe Line Drain	1702117
6	1st Overhang Support - 32'	1700963	19	2" x 1" Bushing	0244028
7	2nd Overhang Support - 57'-2"	1700977	20	1" x 3" Nipple	0211035
8	3rd Overhang Support - 83'-7"	1702067	21	Med. Flow Pressure Reg.	0231020
9	3/8" "L" Bracket	1900023	22	Low Flow Pressure Reg.	0231023
10	6" Flat Gasket	0991016	23	Cable Attach. Brkt. (Std.)	1700975
11	6" Overhang Pipe	1730364		Cable Attach. Brkt. (High Profile)	1702383
11a	6" Overhang Pipe (30" Spacing)	1703223	24	Cable Extension	1730504
11b	6" Overhang Pipe (40" Spacing)	1703237	25	Support - Upper Nameplate	1702286
12	4" Overhang Pipe	1730365	26	Overhang 84' w/o Back Cable	0000A92
12a	4" Overhang Pipe (30" Spacing)	1703224	27	6" Urethane Gasket	0994469
12b	4" Overhang Pipe (40" Spacing)	1703236			



## OVERHANG SUPPORT CABLES

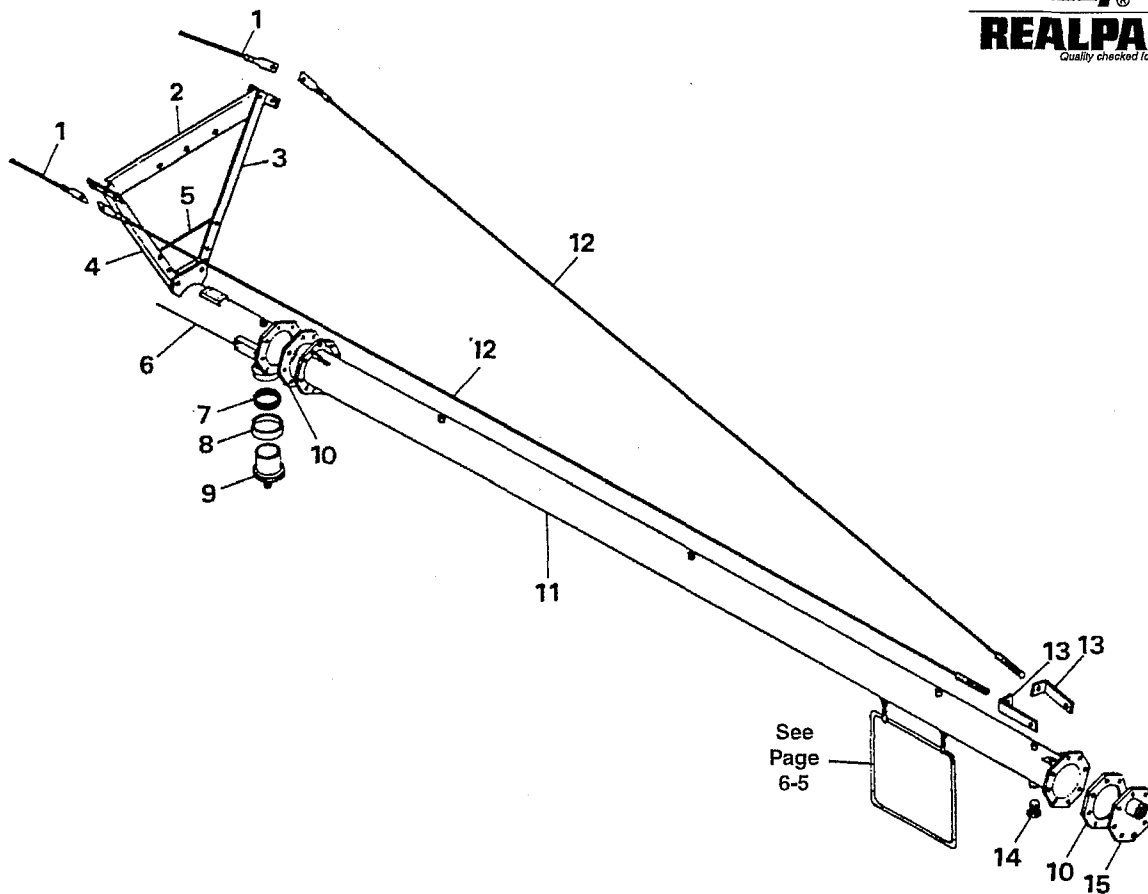
APPLICATIONS	PART #
All Spans with 16' or 26' Overhang .....	1901895
All Spans with 42' Overhang (After 6/84).....	1703074
126' Span with 42' (Prior to 6/84) or 84' Overhang .....	1702140
147' Span with 42' (Prior to 6/84) or 84' Overhang .....	1702141
160' Span with 42' (Prior to 6/84) or 84' Overhang .....	1702277
170' Span with 42' (Prior to 6/84) or 84' Overhang .....	1700979
185' Span with 42' (Prior to 6/84) or 84' Overhang.....	1701815
126' Span with 84' Overhang & 7.5 H.P. Booster Pump or 24'/48' Booms .....	1702483
147' Span with 84' Overhang & 7.5 H.P. Booster Pump or 24'/48' Booms .....	1702484
160' Span with 84' Overhang & 7.5 H.P. Booster Pump or 24'/48' Booms .....	1702485
170' Span with 84' Overhang & 7.5 H.P. Booster Pump or 24'/48' Booms .....	1702486
185' Span with 84' Overhang & 7.5 H.P. Booster Pump or 24'/48' Booms .....	1702487

ITEM	DESCRIPTION	PART #
1	Cable Mounting Ear Heavy Duty Cable.....	1702456
1a	Cable Mounting Ear (8-Bolt) - 6-5/8".....	9361357
1b	Cable Mounting Ear (6-Bolt) - 6".....	9361776
2	7/8" Hex Nut.....	0131005
2a	3/4" Jam Nut .....	0131008
3	Sign Hanger.....	0994429
4	5/16" x 1" C.S.....	0161052
5	5/16" Washer.....	0142017
6	5/16" Locknut .....	0133007
7	1/2" x 1-1/4" C.S.....	0161027
8	1/2" Flat Washer .....	0142025
9	1/2" Locknut .....	0133006
10	Valley Sign.....	Prior To Aug. '91.. 0992091 Effective Aug. '91.. 0994310

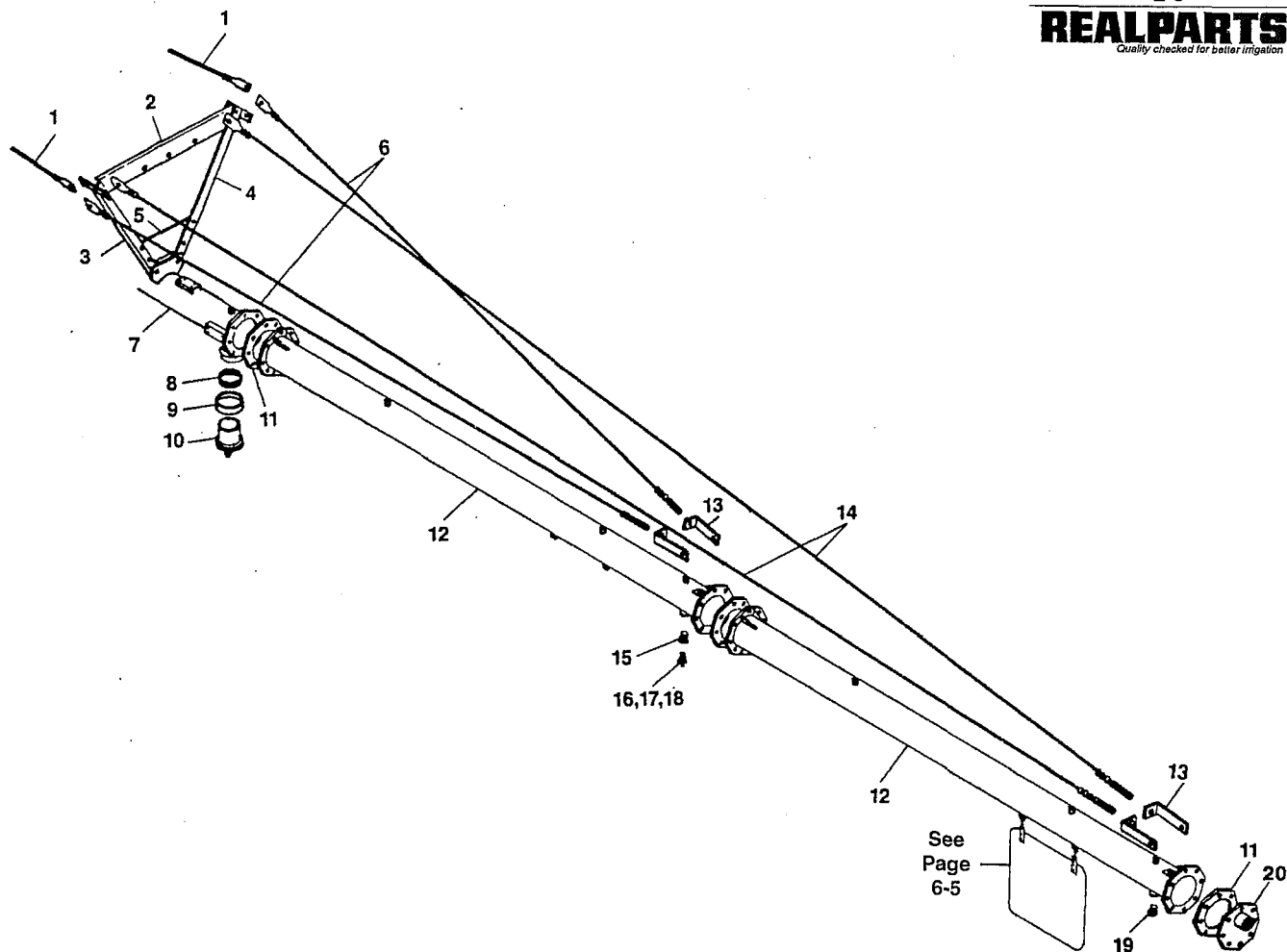


ITEM	DESCRIPTION	PART #
1	See Back Cable on Page 6 -13	
2	Overhang Strap .....	1701849
3	Overhang Support Cable (20'-11 1/2") .....	1780200
4	Support Bracket .....	1900024
5	6-5/8" Urethane Gasket.....	0991107
6	6-5/8" End Plate .....	1800036
7	2" Pipe Plug .....	0246011
8	18' Overhang Pipe (18' 1.18") .....	1780444
8a	18' Overhang Pipe (30" Spacing) .....	1780800
8b	18' Overhang Pipe (40" Spacing) .....	1780652
9	4" Pierce Gasket.....	0221010
10	Circle Lock Ring .....	0992084
11	Pipe Line Drain .....	1702117
12	Last Pipe - Standardized .....	1780443
13	L.H. Overhang Truss.....	9360045
14	R.H. Overhang Truss .....	9360044
15	Gusset.....	1701641

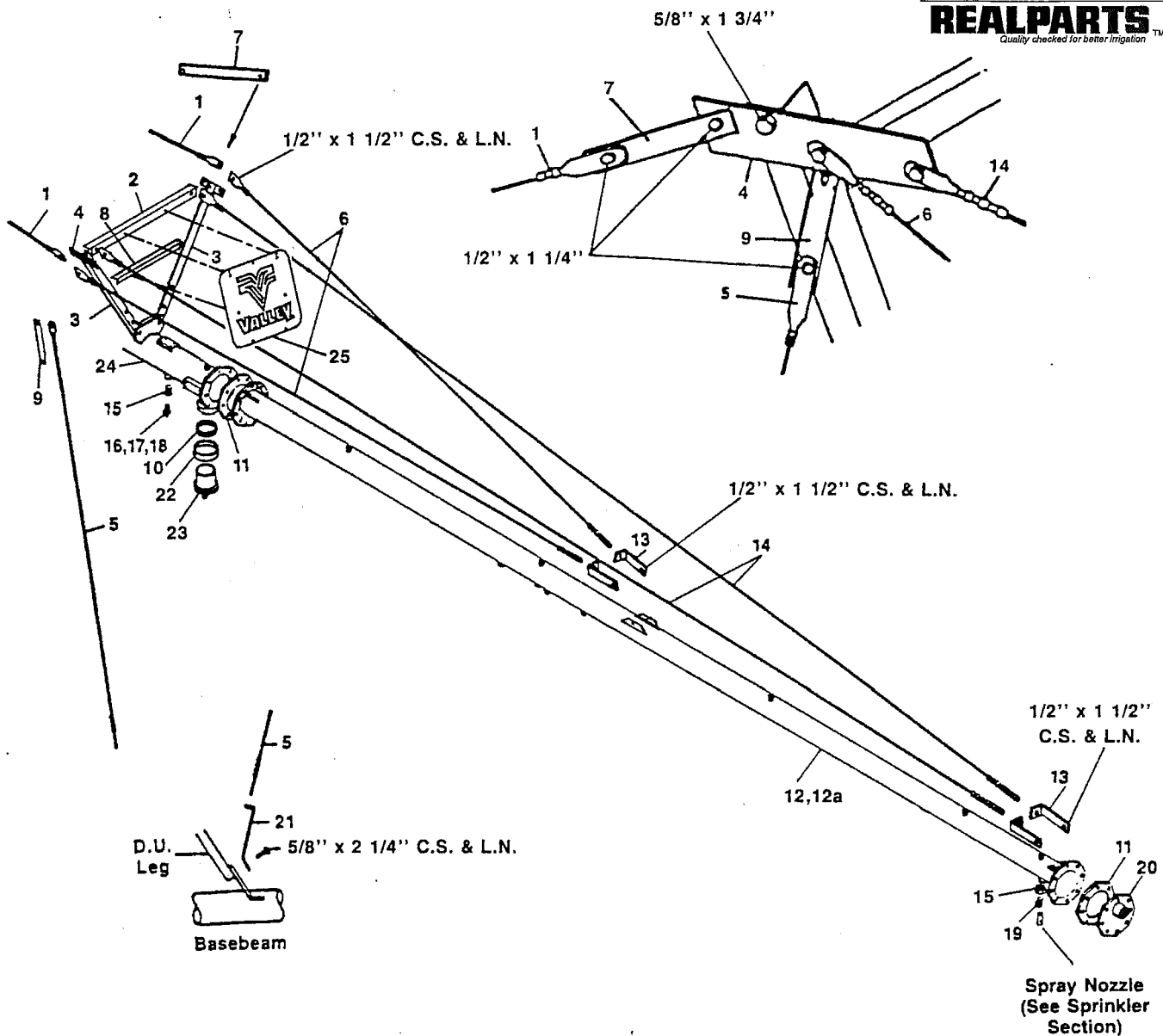




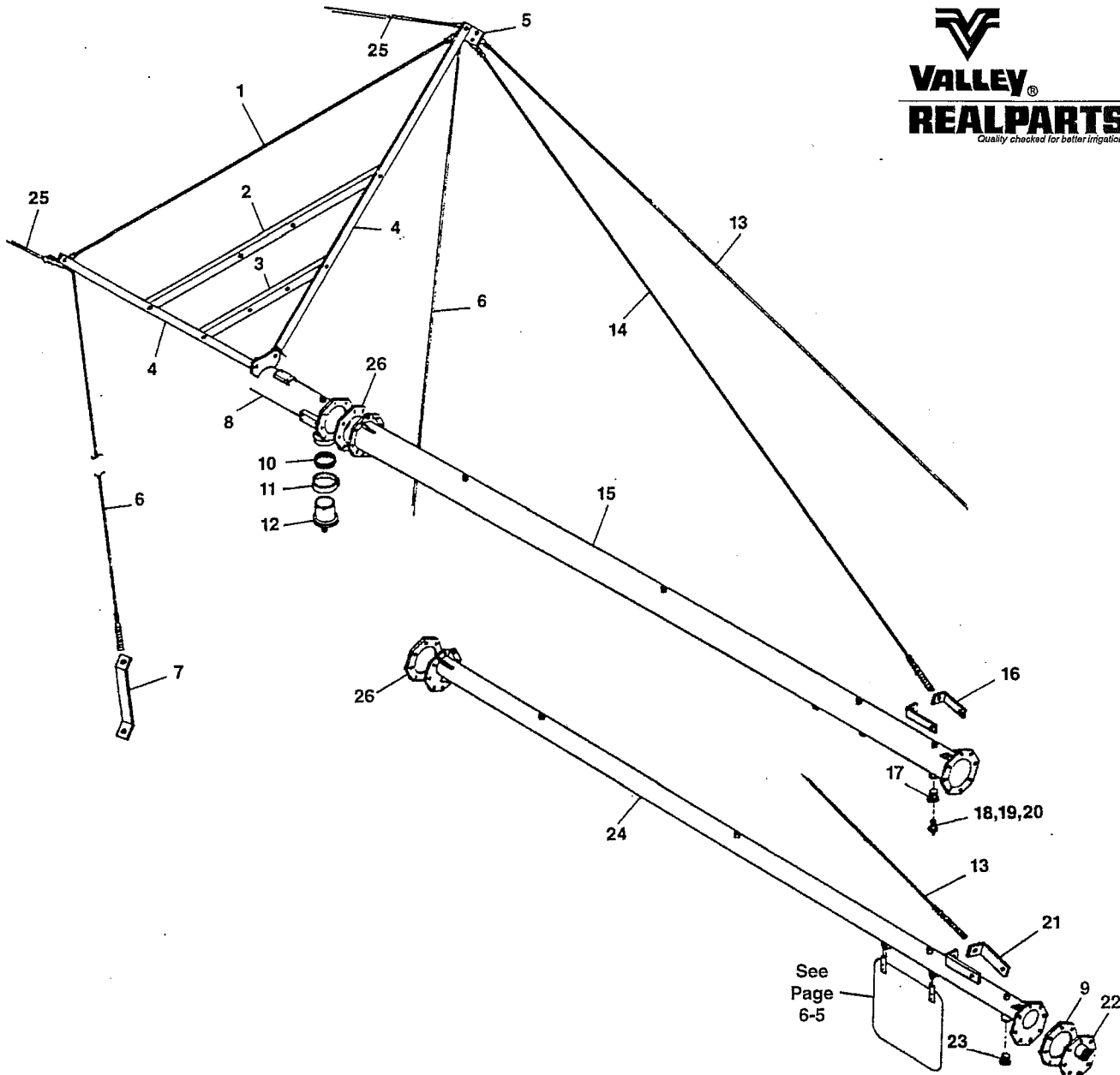
ITEM	DESCRIPTION	PART #
1	See Back Cables on Page 6-13	
2	Overhang Strap .....	1701849
3	R.H. Overhang Truss .....	9360044
4	L.H. Overhang Truss.....	9360045
5	Gusset.....	1701641
6	Last Pipe - Standardized .....	1780443
7	4" Pierce Coupling Gasket .....	0221010
8	Circle Lock Ring .....	0992084
9	Pipeline Drain .....	1702117
10	6" Urethane Gasket.....	0994469
11	27' Overhang Pipe (27' - 5").....	1780445
11a	27' Overhang Pipe 30" Cplg. Spacing.....	1780801
11b	27' Overhang Pipe 40" Cplg. Spacing.....	1780653
12	Overhang Support Cable (30' - 2").....	1780201
13	Support Bracket .....	1900024
14	2" Pipe Plug .....	0246011
15	6-5/8" End Plate .....	1800036



ITEM	DESCRIPTION	PART #	ITEM	DESCRIPTION	PART #
1	See Back Cables on Page 6-13		12	18' Overhang Pipe .....	1780444
2	Overhang Strap .....	1701849	12a	18' Overhang Pipe 30" Cplg. Spacing.....	1780800
3	L.H. Overhang Truss.....	9360045	12b	18' Overhang Pipe 40" Cplg. Spacing.....	1780652
4	R.H. Overhang Truss .....	9360044	13	Support Bracket .....	1900024
5	Gusset.....	1701641	14	Outer Cable (38' - 8-1/2") .....	1780202
6	Support Cable (20' x 11-1/2") .....	1780200	15	2" x 1" Bushing.....	0244028
7	Last Pipe - Standardized .....	1780443	16	Upper Drain Body.....	0232023
8	4" Pierce Gasket.....	0221010	17	Drain Seal.....	0232001
9	Circle Lock Ring .....	0992084	18	Lower Drain Body .....	0232004
10	Pipeline Drain .....	1702117	19	2" Pipe Plug .....	0246011
11	6-5/8" Urethane Gasket.....	0991107	20	6-5/8" End Plate .....	1800036

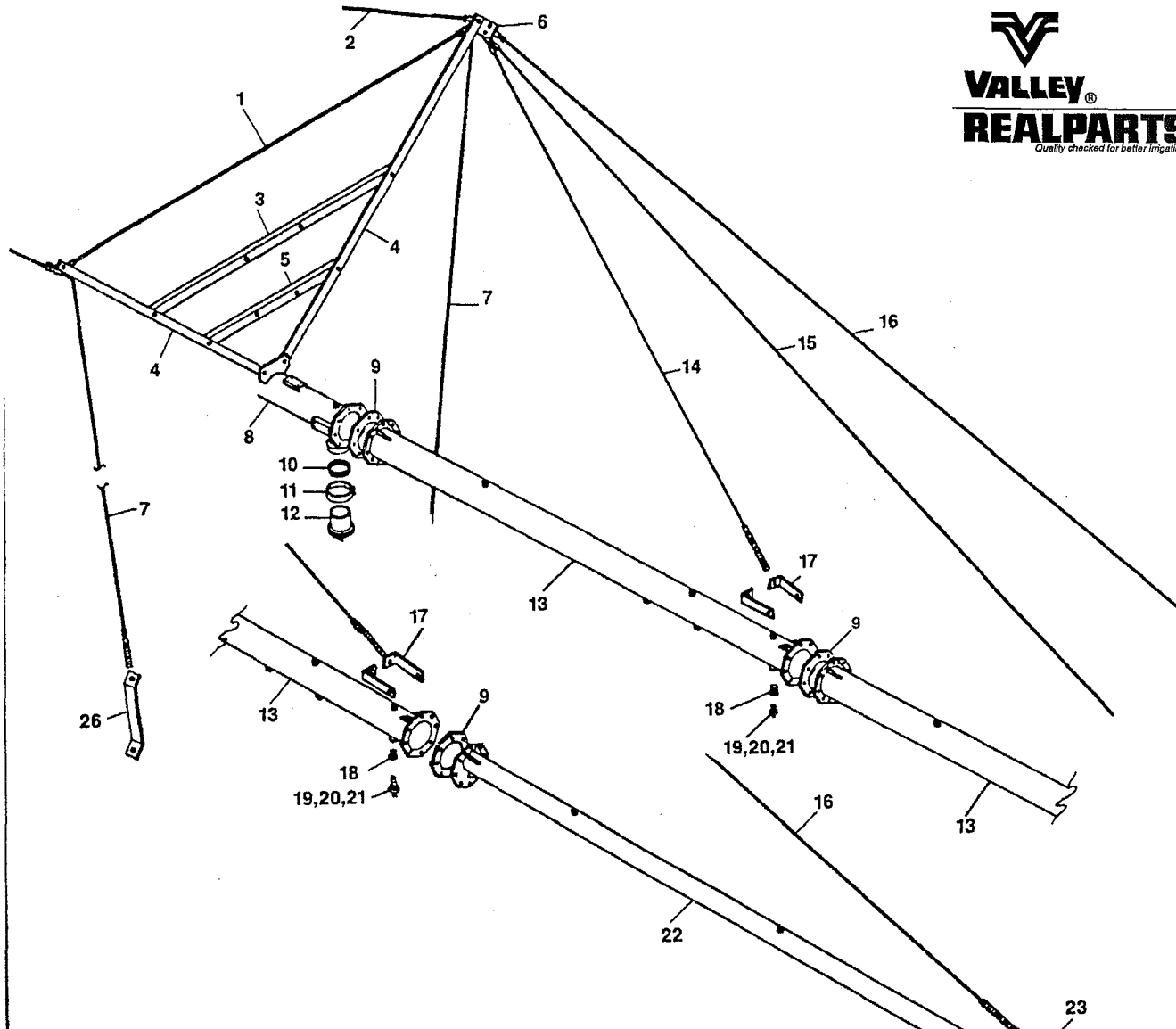


ITEM	DESCRIPTION	PART #	ITEM	DESCRIPTION	PART #
1	See Back Cables on Page 6-13		13	Support Bracket .....	1900024
2	Upper Support .....	1703070	14	Outer Cable (38' - 8 1/2") .....	1780202
3	Overhang Support Angle .....	1703071	15	2" x 1" Bushing .....	0244028
4	Attachment Ear .....	1703073	16	Upper Drain Body .....	0232023
5	Overhang Support Cable .....	1703616	17	Drain Seal .....	0232001
6	Overhang Cable .....	1780200	18	Lower Drain Body .....	0232004
7	Cable Ext. Strap .....	1780878	19	1" x 3/4" Bushing .....	0244005
8	Lower Spreader Support .....	1703742	20	6 5/8" End Plate .....	1800036
9	Cable Ext. ....	1780882	21	Cable Attach. Bracket .....	1700975
10	4" Pierce Gasket .....	0221010	22	Circle Lock Ring .....	0992084
11	6 5/8" Flat Gasket .....	0992211	23	Pipeline Drain .....	1702117
12	36' Overhang Pipe 30" LEPA .....	1781621	24	Last Pipe Std .....	1780443
12a	36' Overhang Pipe 40" .....	1781623	25	Sign .....	0994310



ITEM	DESCRIPTION	PART #
1	Spreader Cable (22')	1700976
2	Upper Nameplate Support.....	1702286
3	Lower Nameplate Support.....	1701021
4	Overhang Support Angle .....	1700982
5	Cable Attachment Ear.....	1780227
6	Support Cable (20' - 2") .....	1780228
7	Cable Attach Bracket.....	1700975
7a	Cable Attach Bkt. (High Profile).....	1780828
8	Last Pipe - Standardized .....	1780443
9	6-5/8" Flat Gasket.....	0992211
10	4" Pierce Gasket.....	0221010
11	Circle Lock Ring.....	0992084
12	Pipeline Drain .....	1702117
13	Outer Cable (59' - 1").....	1780203
14	Inner Cable (33' - 3").....	1780207
15	27' - 6" Overhang Pipe .....	1780445

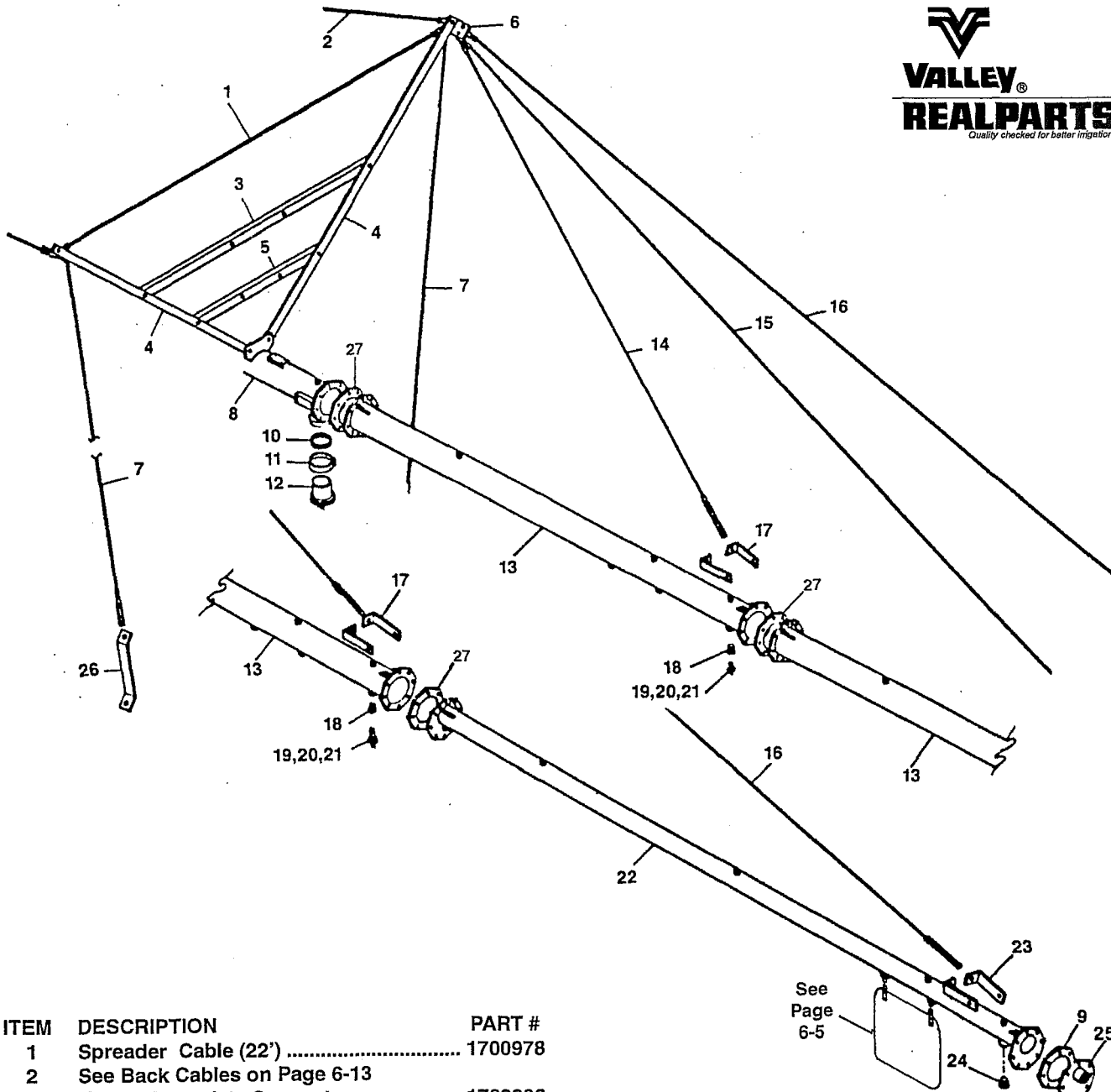
ITEM	DESCRIPTION	PART #
15a	27' Overhang Pipe 30" Cplg. Spacing.....	1780801
15b	27' Overhang Pipe 40" Cplg. Spacing.....	1780653
16	Support Bracket .....	1900023
17	2" x 1" Bushing.....	0244028
18	Upper Drain Body.....	0232023
19	Drain Seal.....	0232001
20	Lower Drain Body .....	0232004
21	Support Bracket .....	1900024
22	6-5/8" End Plate.....	1800036
23	2" Pipe Plug .....	0246011
24	27' - 6", 4" Overhang Pipe.....	1780446
24a	27' Overhang Pipe 30" Cplg. Spacing.....	1780802
24b	27' Overhang Pipe 40" Cplg. Spacing.....	1780654
25	See Back Cables on Page 6-13	
26	6" Urethane Gasket.....	0994469



ITEM	DESCRIPTION	PART #
1	Spreader Cable (22')	1700976
2	See Back Cables on Page 6-13	
3	Upper Nameplate Support.....	1702286
4	Overhang Support Angle.....	1700982
5	Lower Nameplate Support.....	1701021
6	Cable Attachment Ear.....	1780227
7	Support Cable (20' - 2").....	1780228
8	Last Pipe - Standardized.....	1780443
9	6-5/8" Urethane Gasket.....	0991107
10	4" Pierce Gasket.....	0221010
11	Circle Lock Ring.....	0992084
12	Pipeline Drain.....	1702117
13	18' Overhang Pipe.....	1780444
13a	18' Overhang Pipe 30" Cplg. Spacing.....	1780800
13b	18' Overhang Pipe 40" Cplg. Spacing.....	1780652
14	Inner Cable (25' - 3").....	1780206
15	Middle Cable (41' - 3-1/2").....	1780208
16	Outer Cable (67' - 7").....	1780204

See Page  
6-5

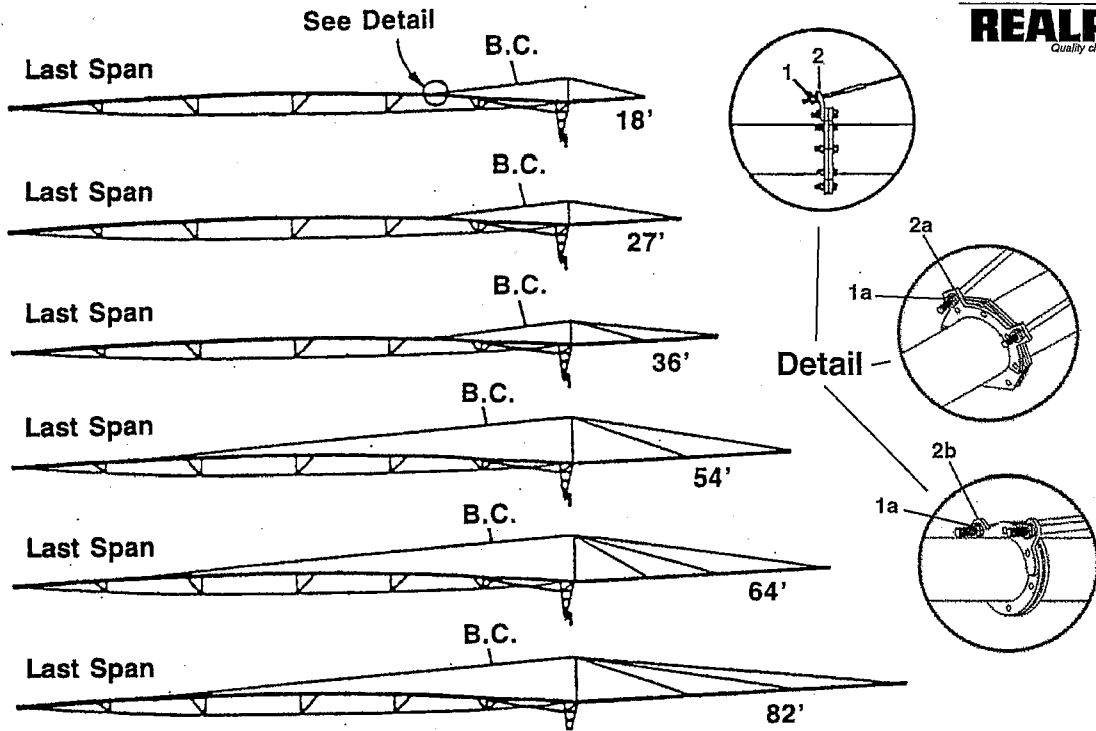
ITEM	DESCRIPTION	PART #
17	Support Bracket.....	1900023
18	2" x 1" Bushing.....	0244028
19	Upper Drain Body.....	0232023
20	Drain Seal.....	0232001
21	Lower Drain Body.....	0232004
22	27' - 6", 4" Overhang Pipe.....	1780446
22a	27' Overhang Pipe 30" Cplg. Spacing.....	1780802
22b	27' Overhang Pipe 40" Cplg. Spacing.....	1780654
23	Support Bracket.....	1900024
24	2" Pipe Plug.....	0246011
25	6-5/8" End Plate.....	1800036
26	Cable Attach Bracket.....	1700975
26a	Cable Attach Bracket (High Profile).....	1780828
27	6-5/8" Flat Gasket.....	0992211



See  
Page  
6-5

ITEM	DESCRIPTION	PART #
1	Spreader Cable (22')	1700978
2	See Back Cables on Page 6-13	
3	Upper Nameplate Support.....	1702286
4	Overhang Support Angle .....	1700982
5	Lower Nameplate Support.....	1701021
6	Cable Attachment Ear.....	1780227
7	Support Cable (20' - 2'') .....	1780228
8	Last Pipe - Standardized .....	1780443
9	6-5/8" Flat Gasket.....	0992211
10	4" Pierce Gasket.....	0221010
11	Circle Lock Ring.....	0992084
12	Pipeline Drain .....	1702117
13	27' - 6", 6-5/8" Overhang Pipe .....	1780445
13a	27' Overhang Pipe 30" Cplg. Spacing.....	1780801
13b	27' Overhang Pipe 40" Cplg. Spacing.....	1780653
14	Inner Cable (33' - 3'') .....	1780207
15	Middle Cable (69' - 1'') .....	1780203
16	Outer Cable (85' - 10-1/2'') .....	1780205

ITEM	DESCRIPTION	PART #
17	Support Bracket .....	1900023
18	2" x 1" Bushing.....	0244028
19	Upper Drain Body.....	0232023
20	Drain Seal.....	0232001
21	Lower Drain Body .....	0232004
22	27'-6", 4" Overhang Pipe .....	1780446
22a	27' Overhang Pipe 30" Cplg. Spacing.....	1780802
22b	27' Overhang Pipe 40" Cplg. Spacing.....	1780654
23	Support Bracket .....	1900024
24	2" Pipe Plug .....	0246011
25	6-5/8" End Plate .....	1800036
26	Cable Attach Bracket .....	1700975
26	Cable Attach Bracket (High Profile).....	1780828
27	6" Urethane Gasket .....	0994469



- 1 7/8" Hex Nut ..... 0131005
- 1a 3/4" Jam Nut ..... 0131008
- 2 Cable Mount Ear Heavy Duty Cable ..... 1702456
- 2a Cable Mount Ear (8-Bolt) - 6-5/8" ..... 9361357
- 2b Cable Mount Ear (6-Bolt) - 6" ..... 9361776

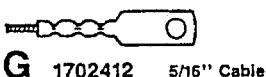
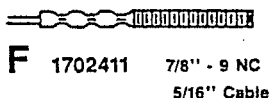
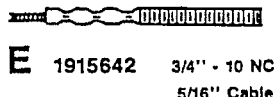
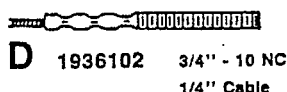
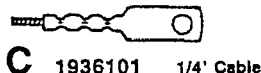
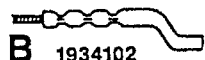
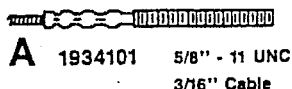
Overhang Length	Last Span Length	1/4"* Back Cable	5/16" Back Cable (7 1/2 HP)	Overall Cable Length (Dims in Inches)
18'	All	1780230	N/A	402
27'	All	1780230	N/A	402
36'	All	1780230	N/A	402
54', 64', 82'	109	N/A	1781292	855
54', 64', 82'	128	1780586	1780589	1070
54', 64', 82'	146	1780231	1780286	1286.5
54', 64', 82'	160	1780763	1780764	1451
54', 64', 82'	164	1780587	1780590	1504
54', 64', 82'	180	N/A	1781290	1687
54', 64', 82'	183	1780232	1780287	1721.5
54', 64', 82'	187	N/A	1781291	1767.0
54', 64', 82'	201	1780588	1780591	1939.5

Functional Area

Span Overhangs

Assembly / Part

Cable Chart

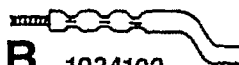


Item	Cable Description	ID	Ears	Assm.		Item	Cable Description	ID	Ears	Assm.	
				Length	Part #					Length	Part #
1	Side Cable - 42' OH LP		C, D	10'-11.5"	1703317	47	Cable (3/16 Cable)	CL	A, B	44'	1915561
2	Pivot Trail		C	11'	1700700	48	Outer OH Cable		C, D	45'-10"	1703304
3	E-Z Tow Cross Cable		C, D	13'-9"	1744999	49	#4 Truss Cable	4	C, D	47'-11"	1936000
4	OH Support Cable	45	C, D	14'-9"	1703616	50	#8 Support	8	C, D	49'-3"	1939000
5	#6 Truss (3/16 Cable)	6	B (2)	15'-11"	1938000	51	Backcable 73' OH		C, D	54'-9"	1703186
6	Cable (1/4 Cable)	K	B (2)	15'-11"	1901897	52	2nd OH Cable	32	A, B	57'-2"	1700977
7	#53 Support		C, D	15'-11"	1702273	53	OH Cable Model 6000		C, D	59'-1"	1780203
8	#5 Truss (3/16 Cable)	5	A, B	16'-6"	1937000	54	3rd OH Support	41	B (2)	60'-10"	1701277
9	Anchor Cable L.P.		C, D	17'-3"	1780637	55	Cable (3/16 Cable)	D	A, B	63'-2"	1901761
10	Short OH Cable	34	A, B	19'-6"	1701031	56	Cable (3/16 Cable)	8L	A, B	64'-10"	1915559
11	#10 Support Cable	10	C, D	19'-6"	1941000	57	OH Cable Model 6000		C, D	67'-7"	1780204
12	Support Cable Model 6000		C, D	20'-2"	1780228	58	Cable (3/16 Cable)	DL	A, B	70'-10"	1915562
13	OH Support Cable		C, D	20'-11.5"	1780200	59	Back Cable		C, D	73'-10"	1703303
14	Cable (3/16 Cable)	20	A, B	21'-10"	1915557	60	#14 Support (3/16 Cable)	14	A, B	79'-4"	1945000
15	Cable	47	C, D	21'-11"	1915691	61	#17 Support (3/16 Cable)	17	A, B	79'-10"	1947000
16	Overhang Spreader	36	B (2)	22'	1700976	62	Cable (3/16 Cable)	23	A, B	80'	1915572
17	Inner OH Cable		A, C	22'-10"	1703305	63	#13 Support	13	C, D	81'-1"	1944000
18	Cable 1/4 185' E-Z Tow		C, D	23'-1"	1745069	64	3rd Overhang Cable	49	C, 2	83'-7"	1702067
19	1st OH Support	39	A, B	23'-8"	1701279	65	3rd Overhang Cable	31	B, 2	83'-9"	1700978
20	30' OH Cable	30	A, B	23'-11"	1700282	66	Overhang Support	38	C, D	84'-4"	1701273
21	3/16 OH Cable		A (2)	25'-3"	1780206	67	Overhang Back Cable	51	C, D	84'-5"	1702140
22	Overhang Support Cable		C, D	30'-2"	1780201	68	5/16 OH Back Cable		F, G	84'-5"	1702483
23	#3 Truss (3/16 Cable)	3	B (2)	31'-11"	1935000	69	1/4 OH Support Cable		C, D	85'-9"	1780205
24	Cable (J)	J	B (2)	31'-11"	1901895	72	#16 Support (3/16 Cable)	16	A, B	95'-4"	1946000
25	1st Overhang	33	A, B	32'	1700963	73	#12 Support Cable	12	C, D	96'-11"	1943000
26	#1 Truss (3/16 Cable)	1	A, B	32'	1934000	74	Cable Long Span	A	D (2)	99'-8"	1901968
27	Cable (3/16 Cable)	24	A, B	32'-4"	1915554	75	Cable (5/16 Cable)	43	E (2)	99'-11"	1915643
28	Cable	25	A, B	32'-4"	1915552	76	Cable 1/4	21	C, D	104'-5"	1915560
29	Cable	H	A, B	33'	1901893	77	OH Back Cable (147')	52	C, D	105'	1702141
30	OH Cable (3/16 Cable)		A, C	33'-3"	1780207	78	5/16 OH Back Cable (147')		F, G	105'	1702484
31	Cable	26	B (2)	33'-4"	1915544	79	#48 - 147' Span 63' OH	48	C, D	105'-3"	1701926
32	OH Back Cable		C, D	33'-6"	1780230	82	OH Support		C, D	117'-4"	1702277
33	#9 Support	9	C, D	34'-11"	1940000	83	5/16 OH Support		F, G	117'-4"	1702485
34	Cable	C	C, D	36'-11"	1901758	86	Cable Long Span (5/16 Cable)	AL	D (2)	123'-4"	1915555
35	Cable (3/16 Cable)	22	A, B	37'-1"	1915570	87	Cable (5/16 Cable)	44	E 2	123'-7"	1915644
36	OH Support Cable		C, D	38'-8.5"	1780202	90	Overhang Support	37	C, D	125'-10"	1700979
37	Cable (3/16 Cable)	3L	B (2)	39'-4"	1915546	91	5/16 Overhang Support		F, G	125'-10"	1702486
38	Cable	27	A, B	39'-4"	1915548	92	OH Support Cable	46	C, D	141'-6"	1701815
39	Cable	1L	A, B	39'-8"	1915550	93	5/16 OH Support Cable		F, G	141'-6"	1702487
40	Back Cable 42' OH		C, D	40'-9"	1703074	94	OH Cable	K	C, D		1780231
41	2nd OH Cable	40	A, B	41'-3"	1701275	95	OH Cable	L	C, D		1780232
42	OH Cable 42' OH		C, C	41'-3.5"	1703075	96	OH Back Cable		C, D		1780586
43	3/16 OH Cable		A, C	41'-3.5"	1780208	97	OH Back Cable		C, D		1780587
44	2nd OH Cable	50	C (2)	42'-8"	1702068	98	OH Back Cable		C, D		1780588
45	2nd OH Cable	35	B (2)	42'-10"	1701029	99	Back Cable		C, D		1780763
46	Cable (3/16 Cable)	9L	A, B	42'-11"	1915558						

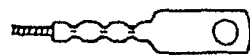




**A** 1934101 5/8" - 11 UNC  
3/16" Cable



**B** 1934102



**C** 1936101 1/4' Cable



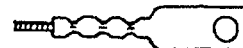
**D** 1936102 3/4" - 10 NC  
1/4" Cable



**E** 1915642 3/4" - 10 NC  
5/16" Cable



**F** 1702411 7/8" - 9 NC  
5/16" Cable



**G** 1702412 5/16" Cable

**CABLE LISTED BY ASCENDING LENGTH**  
Refer to Specific Overhang Pages for "Where Used" Data

Item	Cable Description	ID	Ears	Assm. Length	Part #	Item	Cable Description	ID	Ears	Assm. Length	Part #
31	Cable	26	B (2)	33'-4"	1915544	59	Back Cable		C, D	73'-10"	1703303
32	OH Back Cable		C, D	33'-6"	1780230	60	#14 Support (3/16 Cable)	14	A, B	79'-4"	1945000
33	#9 Support	9	C, D	34'-11"	1940000	61	#17 Support (3/16 Cable)	17	A, B	79'-10"	1947000
34	Cable		C, D	36'-1"	1901758	62	Cable (3/16 Cable)	23	A, B	80"	1915572
35	Cable (3/16 Cable)	22	A, B	37'-1"	1915570	63	#13 Support	13	C, D	81'-1"	1944000
36	OH Support Cable		C, D	38'-8.5"	1780202	64	3rd Overhang Cable	49	C, 2	83'-7"	1702067
37	Cable (3/16 Cable)	3L	B (2)	39'-4"	1915546	65	3rd Overhang Cable	31	B, 2	83'-9"	1700978
38	Cable	27	A, B	39'-4"	1915548	66	Overhang Support	38	C, D	84'-4"	1701273
39	Cable	1L	A, B	39'-8"	1915550	67	Overhang Back Cable	51	C, D	84'-5"	1702140
40	Back Cable 42' OH		C, D	40'-9"	1703074	68	5/16 OH Back Cable		F, G	84'-5"	1702483
41	2nd OH Cable	40	A, B	41'-3"	1701275	69	1/4 OH Support Cable		C, D	85'-9"	1780205
42	OH Cable 42' OH		C, C	41'-3.5"	1703075	72	#16 Support (3/16 Cable)	16	A, B	95'-4"	1946000
43	3/16 OH Cable		A, C	41'-3.5"	1780208	73	#12 Support Cable	12	C, D	96'-11"	1943000
44	2nd OH Cable	50	C (2)	42'-8"	1702068	74	Cable Long Span		A, D (2)	99'-8"	1901968
45	2nd OH Cable	35	B (2)	42'-10"	1701029	75	Cable (5/16 Cable)	43	E (2)	99'-11"	1915643
46	Cable (3/16 Cable)	9L	A, B	42'-11"	1915558	76	Cable 1/4	21	C, D	104'-5"	1915560
47	Cable (3/16 Cable)	CL	A, B	44'	1915561	77	OH Back Cable (147')	52	C, D	105'	1702141
48	Outer OH Cable		C, D	45'-10"	1703304	78	5/16 OH Back Cable (147')		F, G	105'	1702484
49	#4 Truss Cable	4	C, D	47'-11"	1936000	79	#48 - 147' Span 63' OH	48	C, D	105'-3"	1701926
50	#8 Support	8	C, D	49'-3"	1939000	82	OH Support		C, D	117'-4"	1702277
51	Backcable 73' OH		C, D	54'-9"	1703186	83	5/16 OH Support		F, G	117'-4"	1702485
52	2nd OH Cable	32	A, B	57'-2"	1700977	86	Cable Long Span (5/16 Cable)	AL	D (2)	123'-4"	1915555
53	OH Cable Model 6000		C, D	59'-1"	1780203	87	Cable (5/16 Cable)	44	E (2)	123'-7"	1915644
54	3rd OH Support	41	B (2)	60'-10"	1701277	90	Overhang Support	37	C, D	125'-10"	1700979
55	Cable (3/16 Cable)		D, A, B	63'-2"	1901761	91	5/16 Overhang Support		F, G	125'-10"	1702486
56	Cable (3/16 Cable)	8L	A, B	64'-10"	1915559	92	OH Support Cable	46	C, D	141'-6"	1701815
57	OH Cable Model 6000		C, D	67'-7"	1780204	93	5/16 OH Support Cable		F, G	141'-6"	1702487
58	Cable (3/16 Cable)	DL	A, B	70'-10"	1915562						

