

**6000 LINEAR  
SECTION 4 – GUIDANCE/ALIGNMENT**

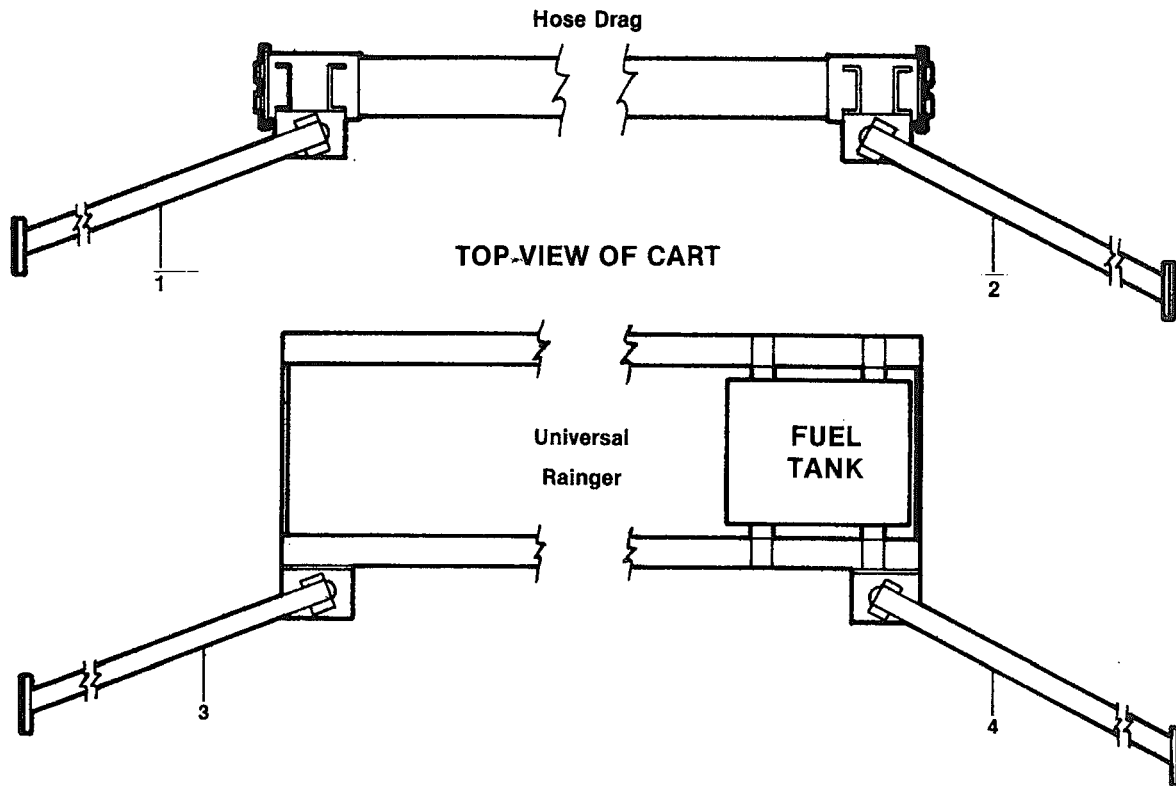


Description	Rev. #	Pg. #
Guidance Box Supports .....	1-88	4-1
Steering/Safety Box .....	11-98	4-2
Steering/Safety Box .....	11-98	4-2.1
Linear Cable Guidance Box .....	4-92	4-3
Guidance Cable and Posts .....	1-88	4-4
Guidance Cable Splice Packages .....	1-88	4-5
Furrow Guidance Assembly .....	2-98	4-6
Below-Ground Guidance Antenna Mount .....	2-98	4-7
Below-Ground Guidance Antenna Mount .....	1-88	4-8
Floating Alignment Controls Prior to 2/85 .....	8-99	4-9
Floating Alignment Controls All Models (Effective 2/85) and Model 6000 .....	8-99	4-9.1
Alignment Control Tower Box Hardware .....	8-99	4-10
Auto Linear, Auto Reverse Packages .....	1-88	4-11

For Hose Drag See 5-25 in Electrical Section

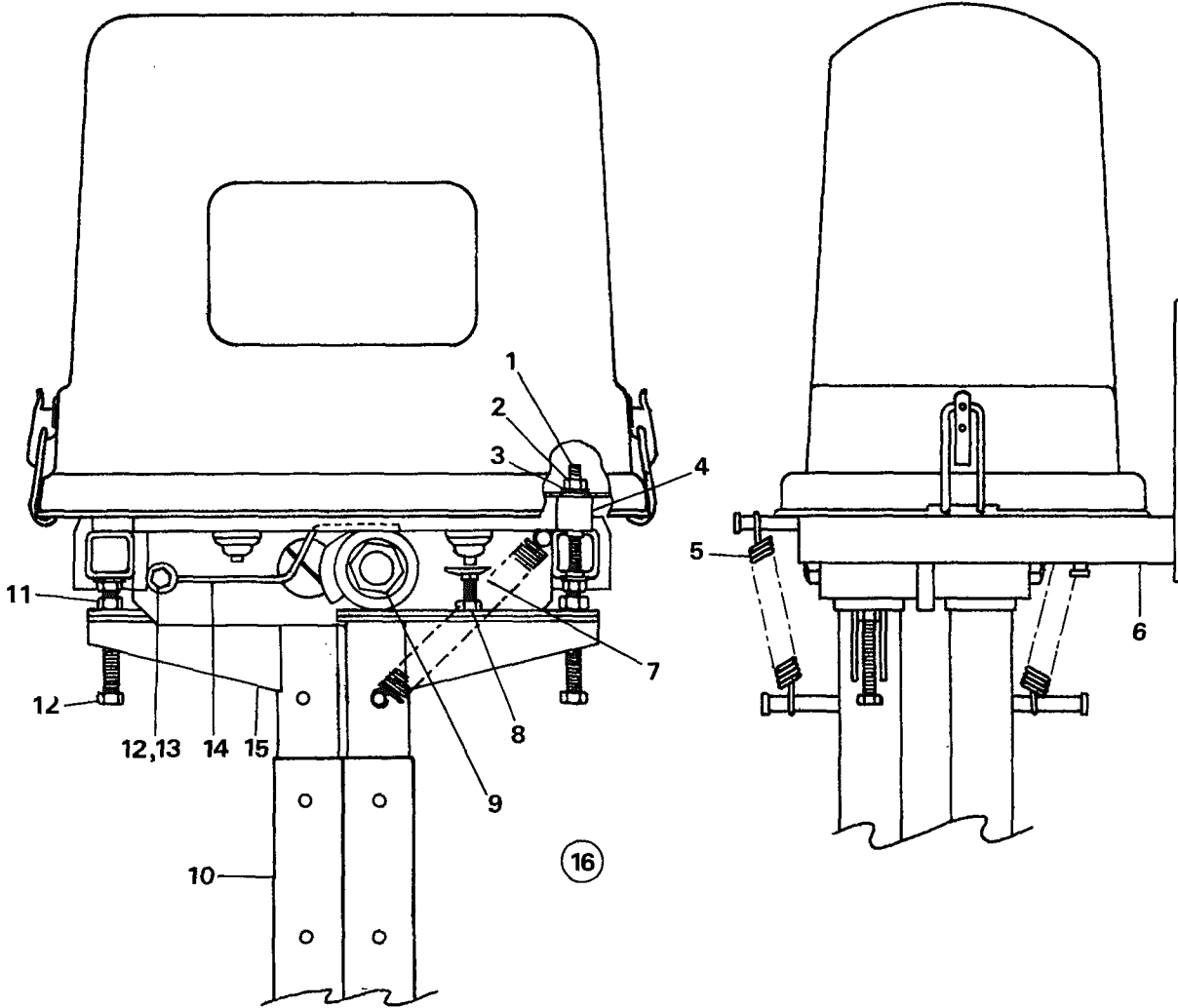


# GUIDANCE BOX SUPPORTS

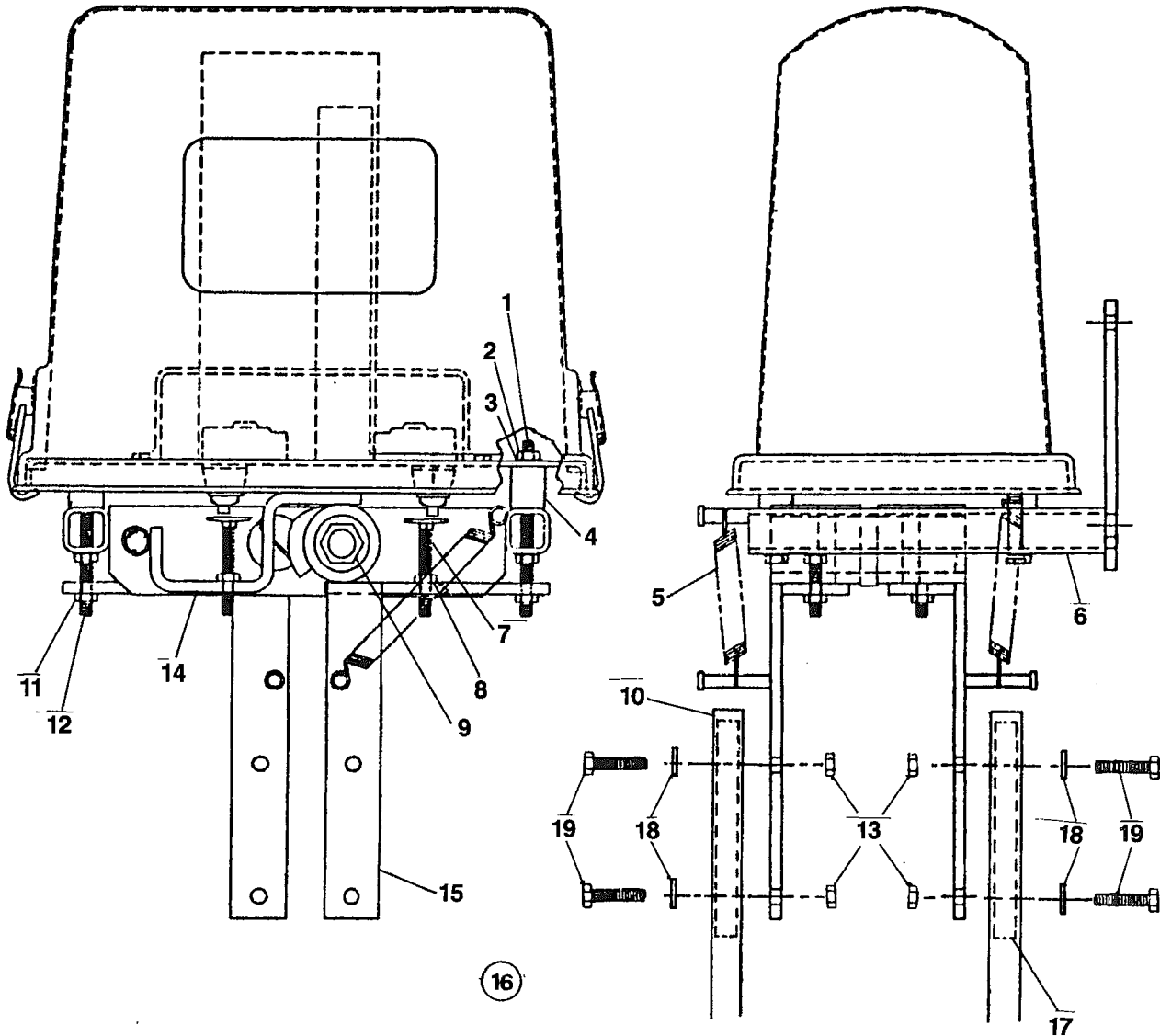


ITEM	DESCRIPTION	PART #
1	Left Guidance Support (4" H.D.) .....	1732080
	Left Guidance Support (6" H.D.) .....	1732138
2	Right Guidance Support (4" H.D.).....	1732081
	Right Guidance Support (6" H.D.).....	1732137
3	Long Guidance Support .....	1730618
4	Short Guidance Support .....	1730619

# Steering/Safety Box

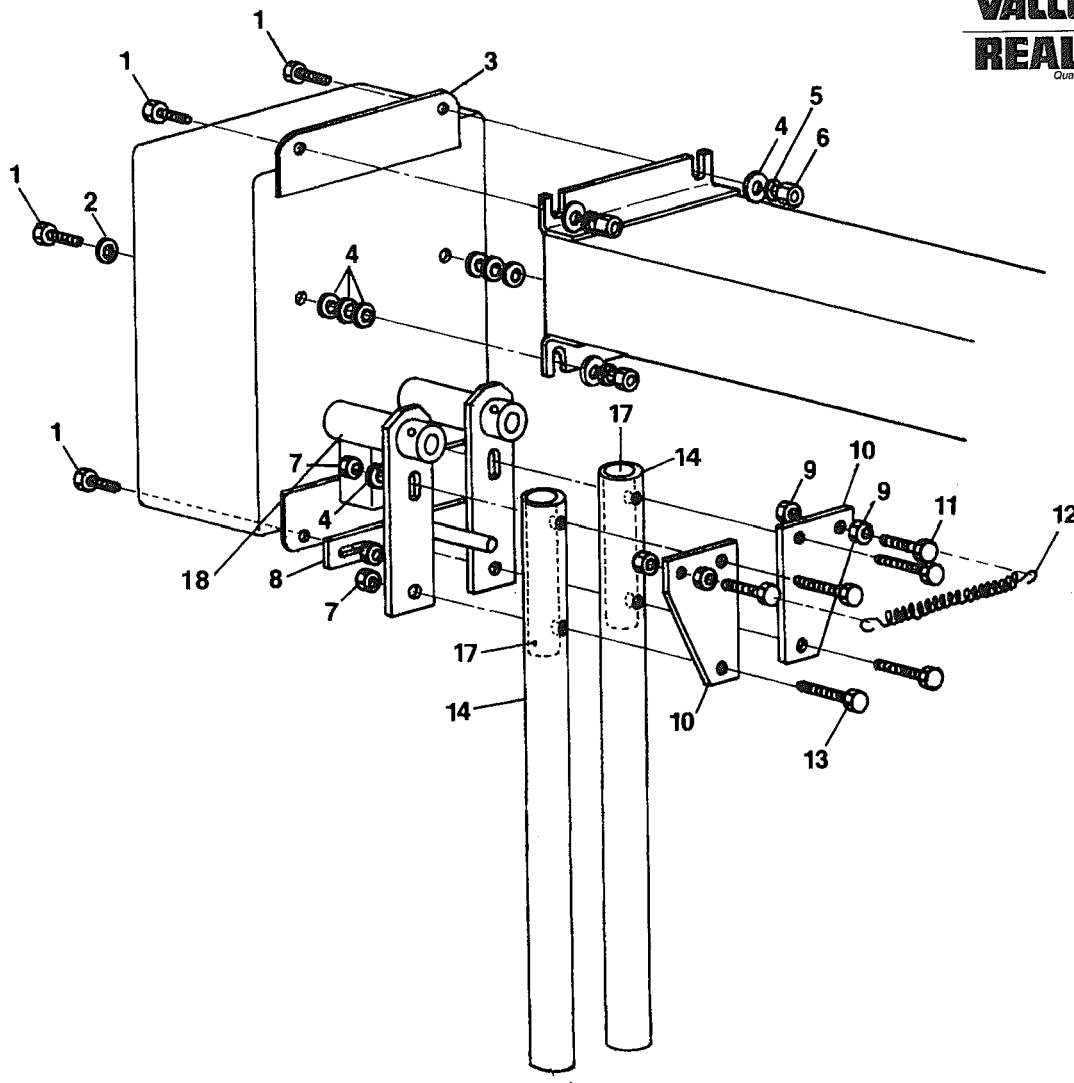


ITEM	DESCRIPTION	PART #	ITEM	DESCRIPTION	PART #
1	1/4" x 2-1/2" Cap Screw	0161054	9	5/8" x 3" Countersunk Bolt	0164138
2	1/4" Lock Nut	0133008	10	Control Arm Extension	1731014
3	1/4" Flat Washer	0142022	11	5/16" Hex Nut	0131019
4	Spacer Sleeve	1730727	12	5/16" x 2-1/2" Cap Screw	0161123
5	Spring	0181078	13	5/16" Lock Nut	0133007
6	Mounting Bracket	1730711	14	Follower Assembly	1730731
7	1/4" x 2-1/2" Elevator Bolt	0164219	15	Control Arm Assembly	1730730
8	1/4" Hex Nut	0131020	16	Steering Safety Box COMPLETE	1811639



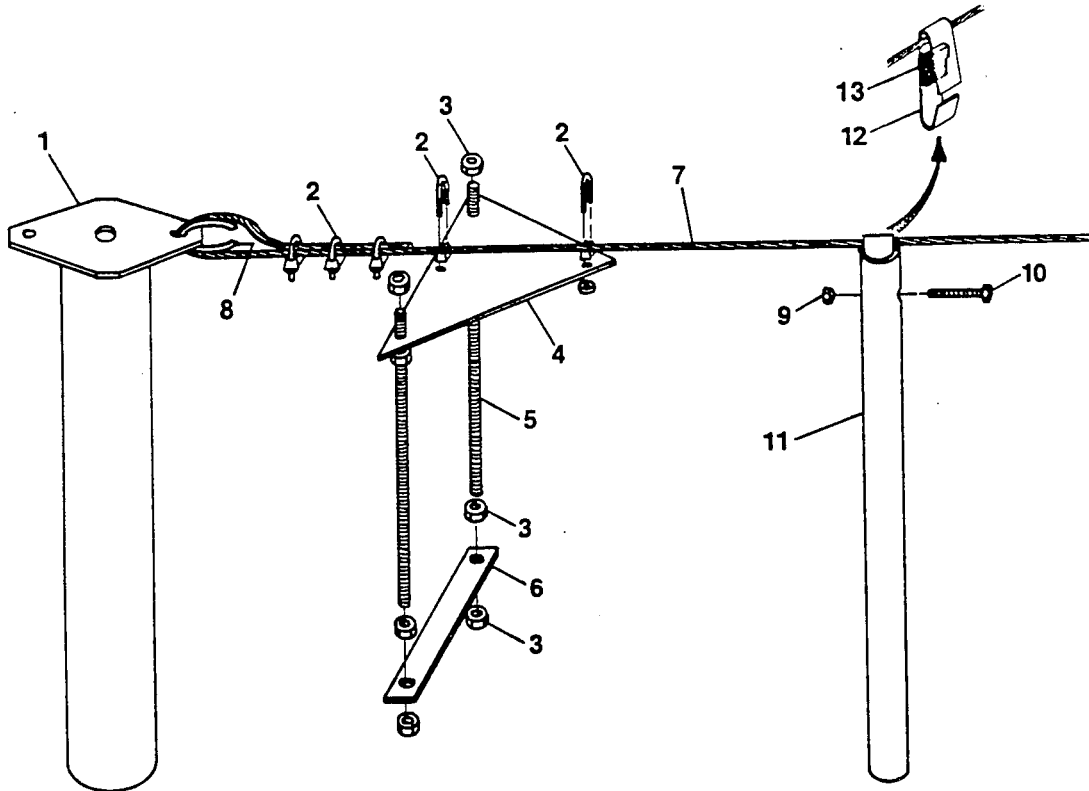
ITEM	DESCRIPTION	PART #	ITEM	DESCRIPTION	PART #
1	1/4" x 2-1/2" Cap Screw .....	0161054	11	1/4" Hex Nut .....	0131020
2	1/4" Lock Nut .....	0133008	12	1/4" x 1-1/4" Cap Screw .....	0161392
3	1/4" Flat Washer .....	0142022	13	5/16" Lock Nut .....	0133007
4	Spacer Sleeve .....	1730727	14	Paddle Safety Switch .....	1731351
5	Spring .....	0181089	15	Assembly Control Arm .....	1731464
6	Mounting Bracket .....	1730711	16	Steering Safety Box COMPLETE .....	1812244
7	1/4" x 2-1/2" Elevator Bolt .....	0164219	17	Arm Bushing .....	1731048
8	1/4" Hex Nut .....	0131020	18	5/16" Flat Washer .....	0142017
9	5/8" x 3" Countersunk Bolt .....	0164138	19	5/16" x 1-3/4" Cap Screw .....	0161095
10	Control Arm Extension .....	1731047			

# LINEAR CABLE GUIDANCE BOX



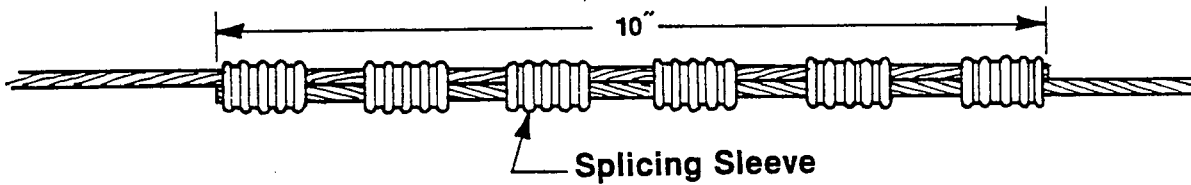
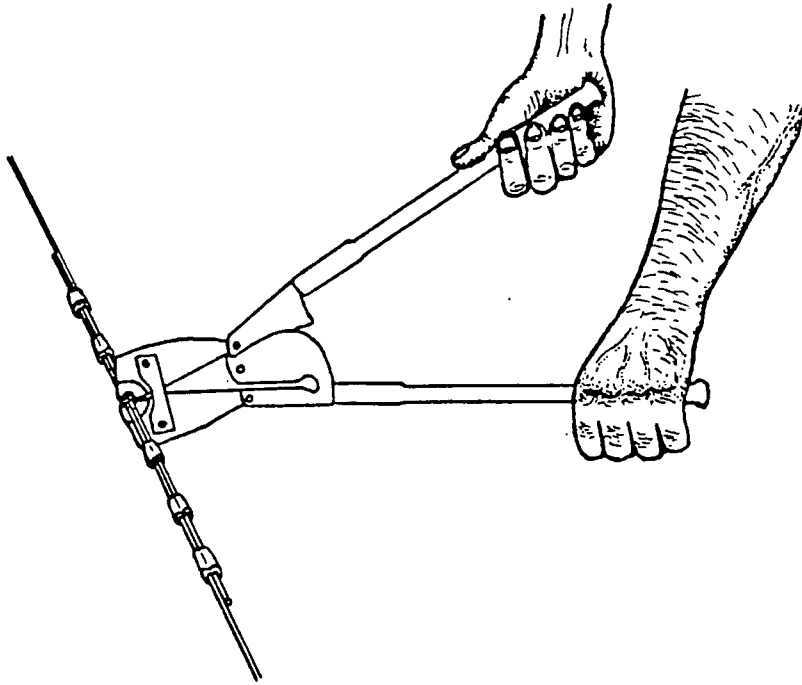
ITEM	DESCRIPTION	PART #
1	1/4" x 1" Cap Screw .....	0161056
2	1/4" Rubber Washer .....	1730631
3	Cable Guidance Box .....	1811530
4	1/4" Flat Washer .....	0142022
5	1/4" Lock Washer .....	0141009
6	1/4" Nut .....	0131020
7	5/16" Lock Nut .....	0133007
8	Control Arm Stop .....	1730620
9	5/16" Nut .....	0131019
10	Control Arm Keeper .....	1730611
11	5/16" x 1-1/2" Cap Screw .....	0161049
12	Spring .....	0181078
13	5/16" x 2" Cap Screw .....	0161079
14	Control Arm .....	1731047
15	1/4" Lock Nut .....	0133008
16	1-1/4" x 1-1/4" Cap Screw .....	0161183
17	Control Arm Bushing .....	1731048
18	Plastic Bushing - 4 Required Per Box .....	1915198

# GUIDANCE CABLE AND POSTS



ITEM	DESCRIPTION	PART #
1	Cable Anchor Post .....	1732057
2	3/16" Cable Clamp .....	202016
3	3/4" Nut .....	131008
4	End of Field Stop .....	1732073
5	Guide Rod .....	36024
6	Counter Balance .....	1732072
7	Cable (5,000 Ft.) .....	201005
8	Cable Hook .....	1732069
9	1/4" Lock Nut .....	133008
10	1/4" x 1 1/4" C.S. ....	161183
11	Support Stake .....	1732070
12	Wire Clip .....	1760420
13	Wire Clip Spacer .....	1760421

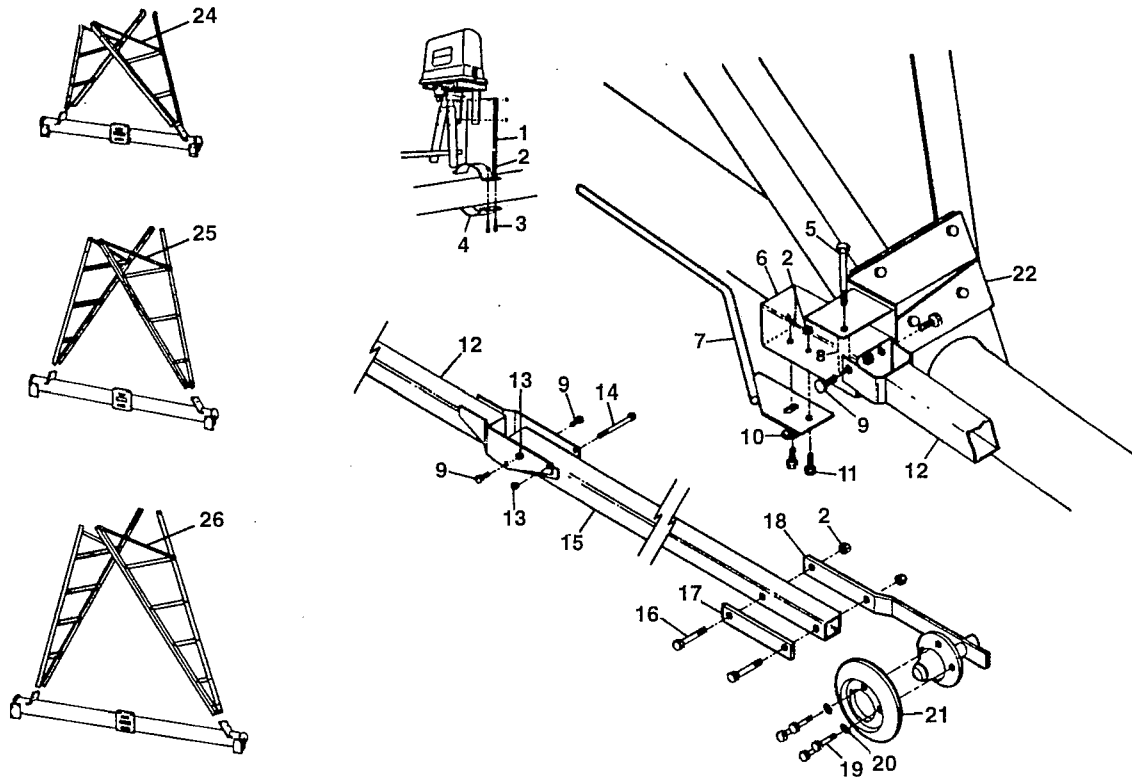
# GUIDANCE CABLE SPLICE PACKAGES



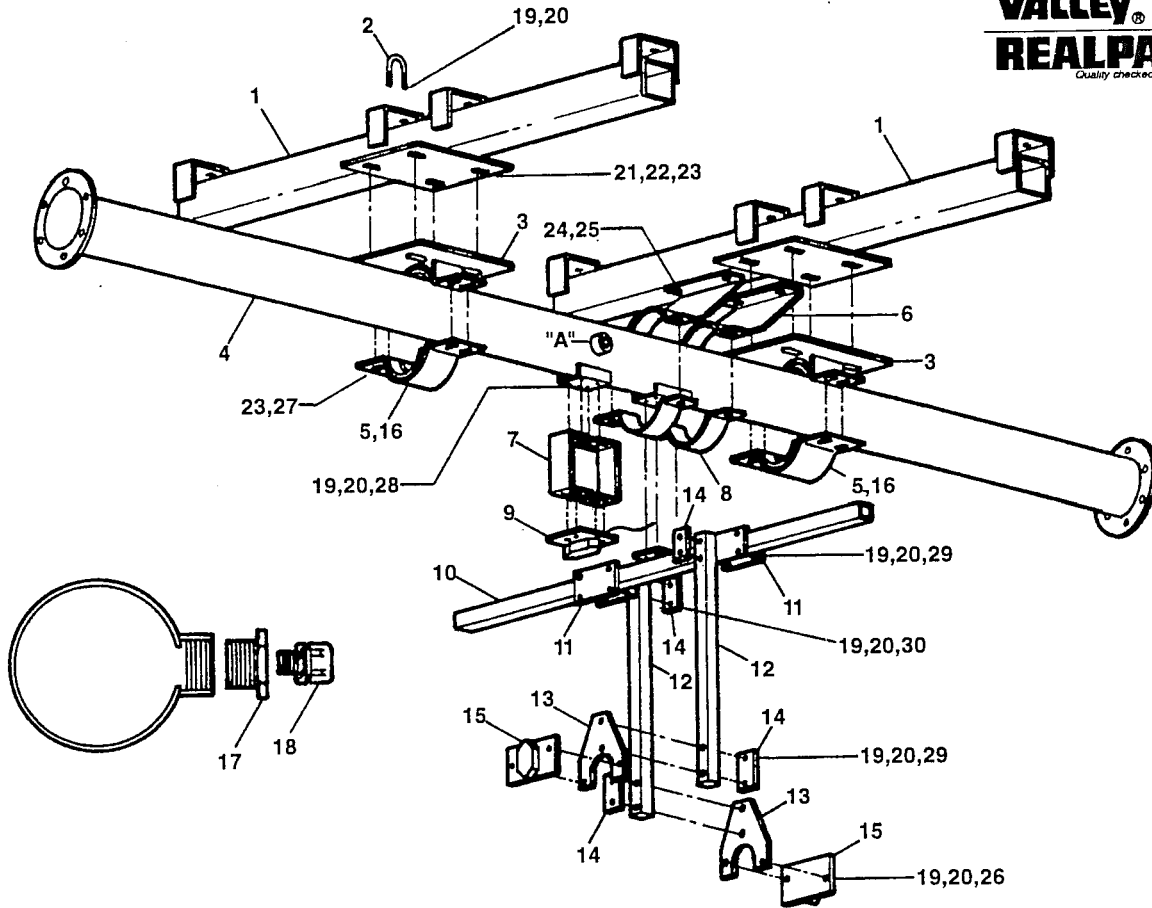
## Guidance Cable Splice Pkg's.

Description	Part #
2,000' Cable	Pkg. 883
500' Cable	Pkg. 882
25 Splicing Sleeves	Pkg. 885



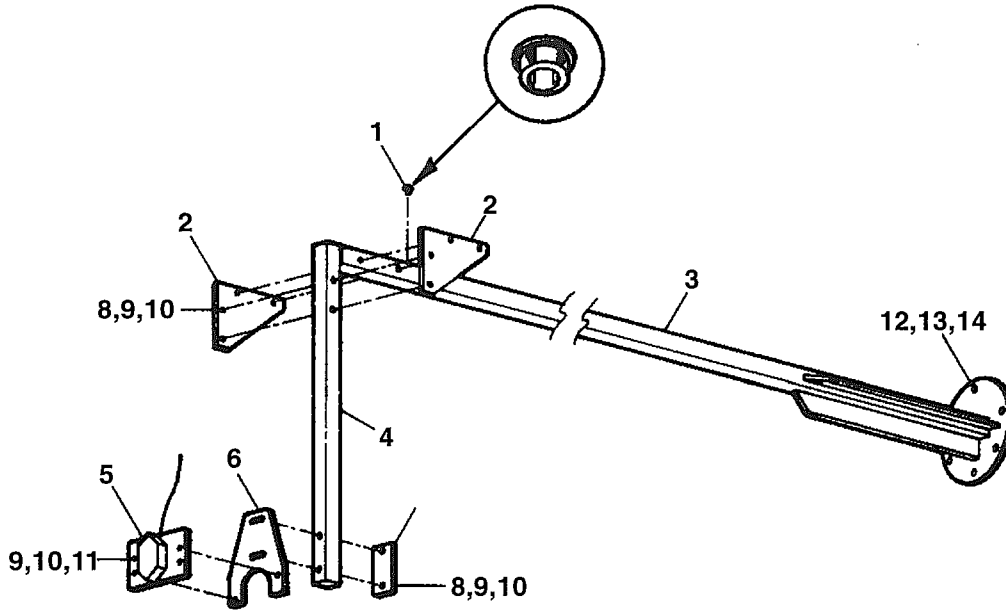


ITEM	DESCRIPTION	PART #	ITEM	DESCRIPTION	PART #
1	Guidance Box Mount.....	1732348	14	5/8" x 5-1/2" Cap Screw .....	0161105
2	1/2" Locknut.....	0133005	15	Front Guidance Tube .....	1732357
3	1/2" x 2-1/2" Cap Screw .....	0161023	16	1/2" x 4-1/2" Cap Screw .....	0161110
4	6-5/8" Half Clamp .....	1700622	17	Guide Wheel Mounting Plate .....	1732373
5	5/8" x 7" Cap Screw .....	0161104	18	Guide Wheel Mount .....	1732382
6	Swivel Tube .....	1732369	19	1/2" x 1-1/2" F.T. Cap Screw .....	0161025
7	Actuator .....	1732364	20	1/2" Lock Washer .....	0141005
8	Pivot Tube .....	1732361	21	Guide Wheel .....	0992920
9	5/8" x 1-3/4" Cap Screw .....	0161088	22	R.H. Pivot Mounting Bracket .....	1732346
10	1/2" Flat Washer .....	0142026	23	L.H. Pivot Mounting Bracket (Not Shown) ...	1732343
11	1/2" x 1-1/2" Cap Screw .....	0161026	24	Low Profile Diagonal Brace .....	1732386
12	Rear Guidance Tube .....	1732350	25	Standard System Diagonal Brace .....	1732383
13	5/8" Locknut.....	0133010	26	High Profile Diagonal Brace .....	1702999



ITEM	DESCRIPTION	PART #	ITEM	DESCRIPTION	PART #
1	Truss Rod Mounting Bracket .....	1732159	16	Clamp Spacer .....	1701025
2	3/8" U-Bolt (8 Req'd).....	0176035	17	2" x 1" Reducing Bushing .....	0244028
3	Antenna Tube Attachment Bracket .....	1732164	18	Strain Relief .....	0314466
4	Antenna Tube .....	1732165	19	3/8" Locknut .....	0133006
5	Clamp .....	1700622	20	3/8" Flat Washer .....	0142031
6	Control Box Mount .....	1732171	21	1/2" x 1-1/2" Cap Screw .....	0161026
7	Antenna Mounting Channel .....	1732189	22	1/2" Flat Washer .....	0142026
8	6" Half-Clamp .....	1902010	23	1/2" Locknut .....	0133005
9	1000 H2 Antenna .....	03M4707	24	5/16" x 1" Cap Screw .....	0161052
	1200 H2 Antenna .....	03M4962	25	5/16" Hex Nut .....	0131019
10	Safety & Reference Antenna Assembly .....	1732160	26	3/8" x 1-1/4" Cap Screw .....	0161153
11	Backing Plate .....	1732169	27	1/2" x 2" Cap Screw .....	0161024
12	Safety Antenna Mount .....	1732170	28	3/8" x 1" Cap Screw .....	0161045
13	Antenna Mount Bracket .....	1732163	29	3/8" x 3" Cap Screw .....	0161037
14	Antenna Drop Strap .....	1732161	30	3/8" x 5" Cap Screw .....	0161035
15	1000 H2 Safety Antenna .....	0315699			
	1200 H2 Safety Antenna .....	0315700			

# BELOW-GROUND GUIDANCE ANTENNA MOUNT

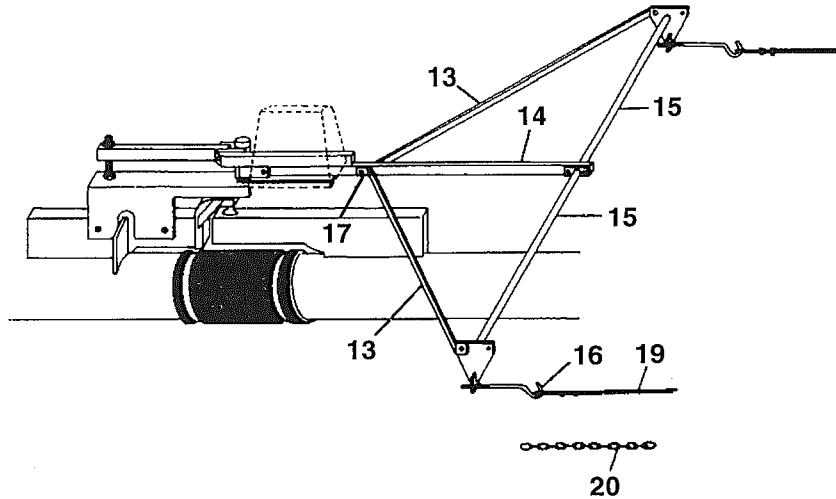
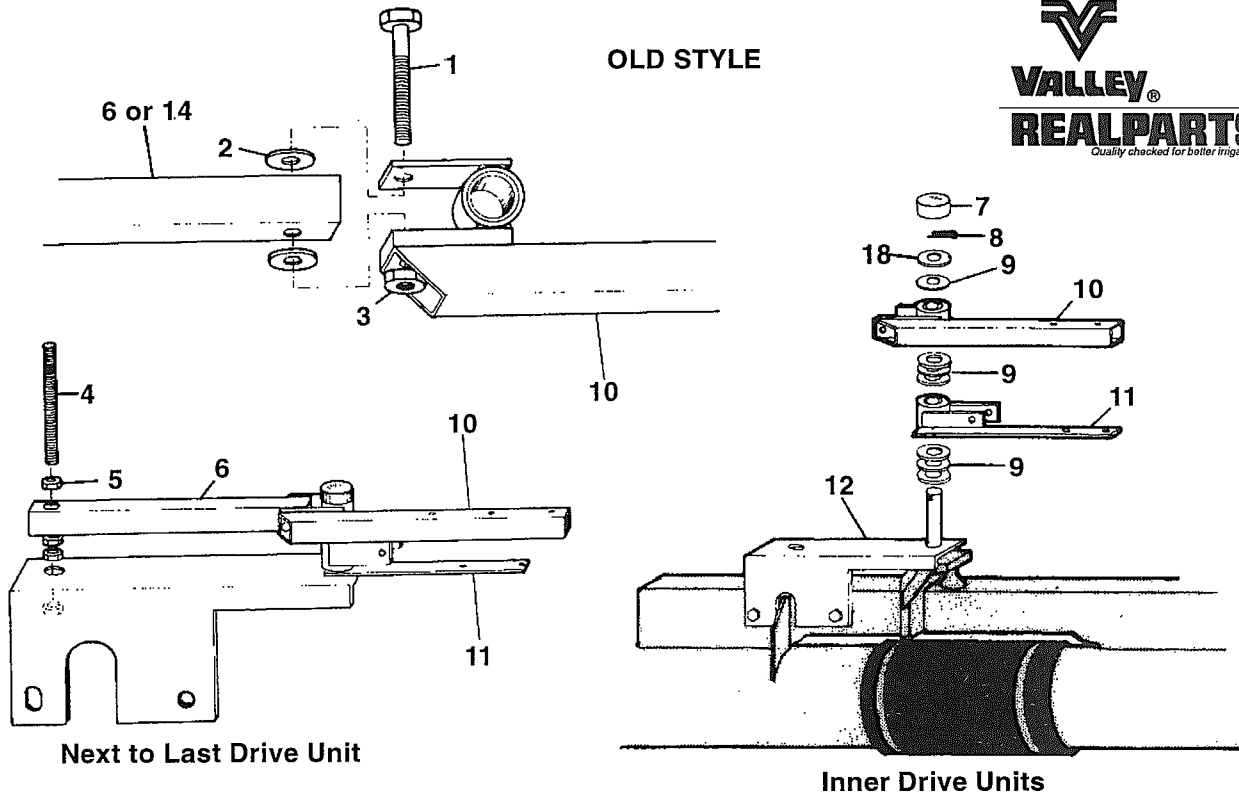


ITEM	DESCRIPTION	PART #
1	Snap-on Bushing .....	0992070
2	Antenna Tube Plate .....	1732167
3	Horizontal Antenna Tube .....	1732166
4	Antenna Tube .....	1732162
5	1000 H2 Antenna .....	0315701
	1200 H2 Antenna .....	0315702
6	Antenna Mount Bracket .....	1732163
7	Antenna Drop Strap .....	1732161
8	3/8" x 3" Cap Screw .....	0161037
9	3/8" Flat Washer .....	0142031
10	3/8" Lock Nut .....	0133006
11	3/8" x 1-1/4" Cap Screw .....	0161153
12	1/2" x 1-1/2" Cap Screw .....	0161026
13	1/2" Flat Washer .....	0142026
14	1/2" Lock Nut .....	0133005

# FLOATING ALIGNMENT CONTROLS

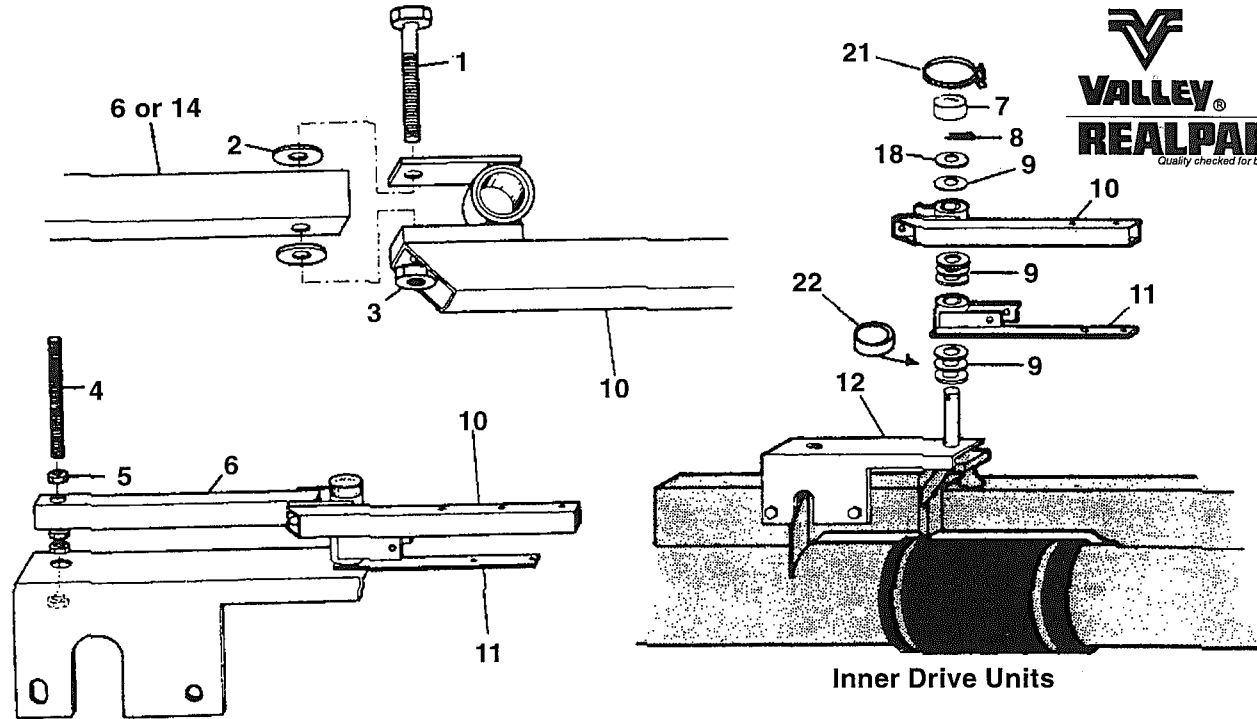


OLD STYLE



ITEM	DESCRIPTION	PART #	ITEM	DESCRIPTION	PART #
1	1/2" X 3-1/2" Cap Screw .....	0161060	14	Alignment Tube .....	1730571
2	1/2" Flat Washer .....	0142026	15	Cable Attachment Assembly .....	1730572
3	1/2" Lock Nut .....	0133005	16	3/8" x 7" Hook Bolt .....	0161366
4	Stabilizer Stud .....	1730579	17	Pad .....	1730478
5	3/4" Nut .....	0131008	18	Steel Washer .....	0141063
6	Outer Tower Box Stabilizer .....	1730580	19	105' Span Cable - 8" & 6-5/8" System .....	1731008
7	Caplug .....	0261033		105' Span Cable - 10" System .....	1702751
8	1/4" Cotter Pin .....	0151015		126' Span Cable .....	1731009
9	Alignment Washer .....	1730570		147' Span Cable .....	1731010
10	Yoke & Tower Box Support .....	1730566		160' Span Cable .....	1731011
11	Yoke & Control Rod .....	1730562		170' Span Cable .....	1731012
12	Alignment Shaft Assembly .....	1730559		185' Span Cable .....	1731013
13	Brace .....	1730485	20	Single Transition Chain .....	1730581

# FLOATING ALIGNMENT CONTROLS

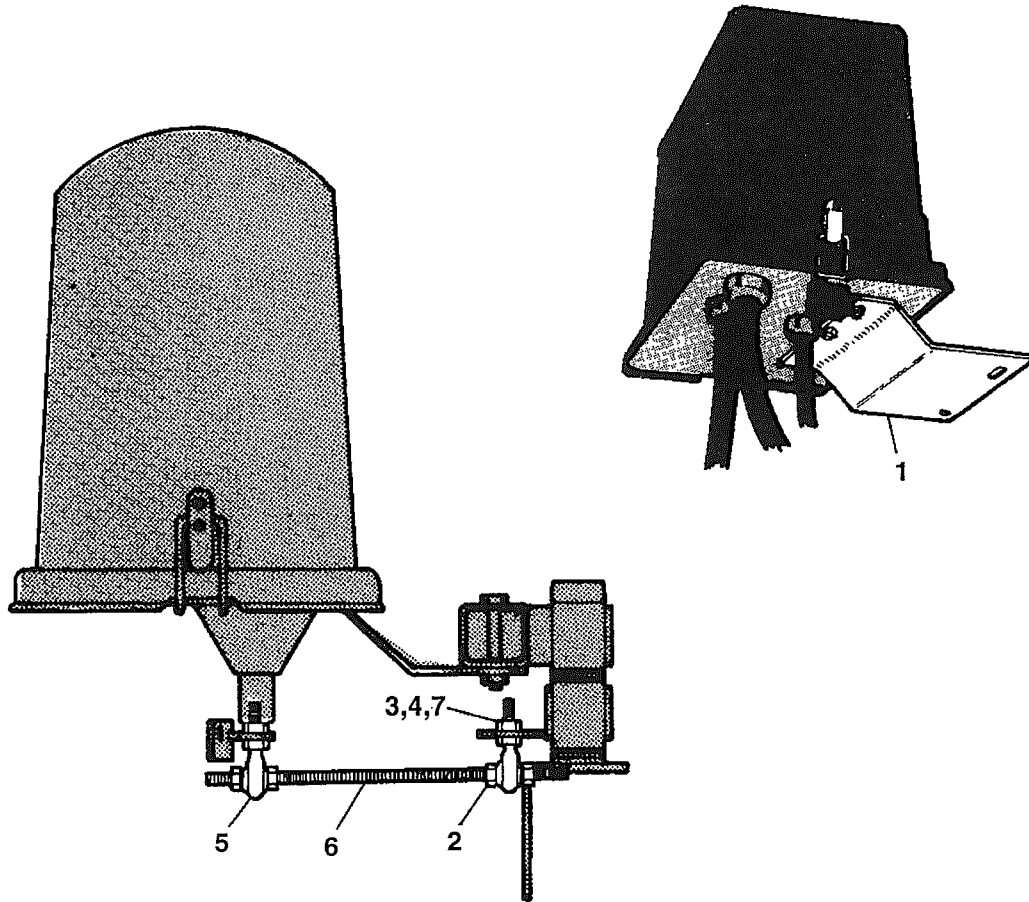


Next to Last Drive Unit

Inner Drive Units

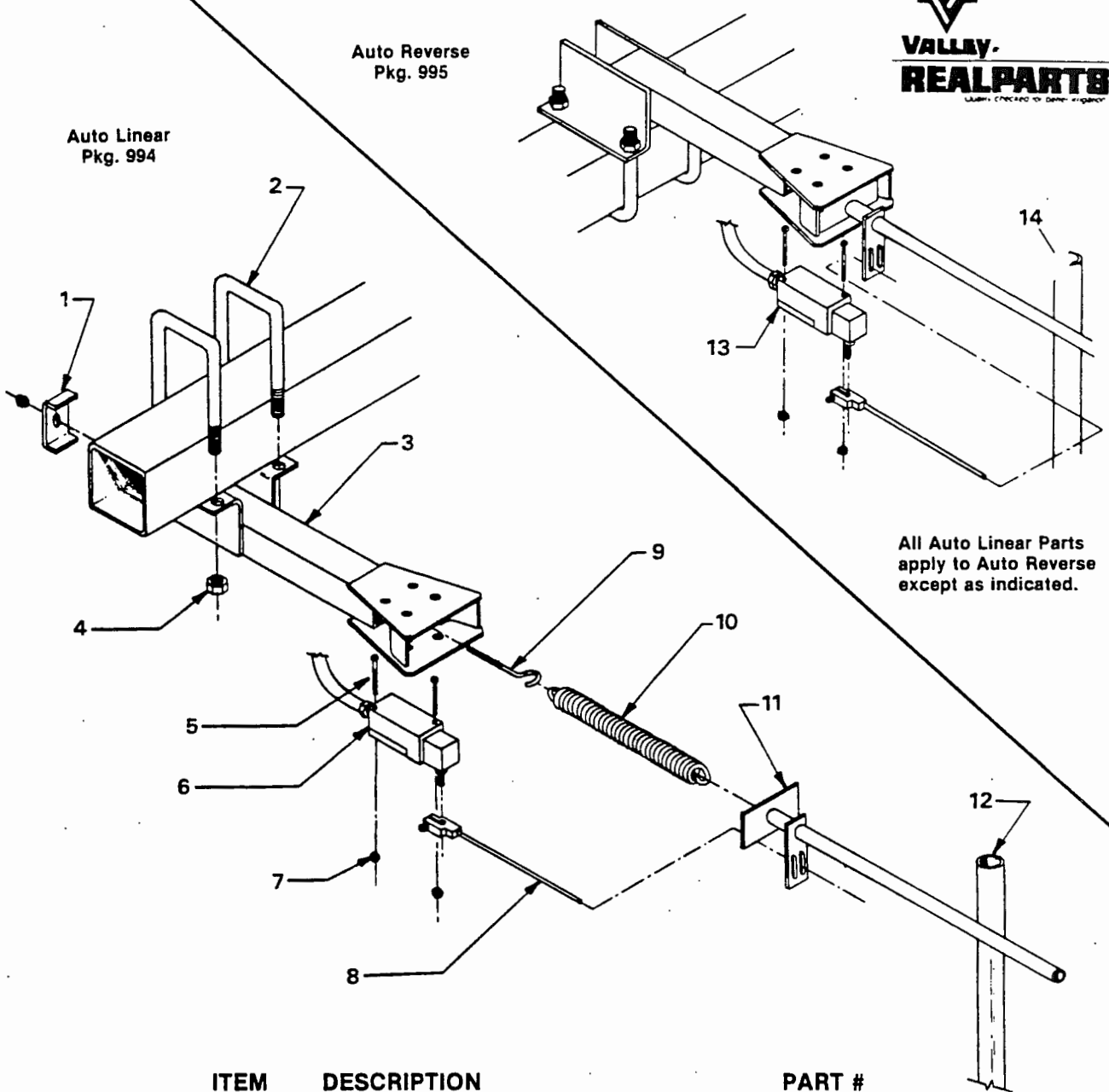
ITEM	DESCRIPTION	PART #	ITEM	DESCRIPTION	PART #
1	1/2" X 3-1/2" Cap Screw .....	0161060	105'	Span Cable - 10" System .....	1702751
2	1/2" Flat Washer .....	0142026	126'	Span Cable .....	1731009
3	1/2" Lock Nut .....	0133005	147'	Span Cable .....	1731010
4	Stabilizer Stud .....	1730579	160'	Span Cable (STD + Model 6000) .....	1731011
5	3/4" Nut .....	0131008	161'	Span Cable .....	1780849
6	Outer Tower Box Stabilizer .....	1730580	170'	Span Cable .....	1731012
7	Caplug .....	0261033	185'	Span Cable .....	1731013
8	1/4" Cotter Pin .....	0151015	109'	Span Cable (Model 6000) .....	1780665
9	Alignment Washer .....	1730570	128'	Span Cable 8" Span (Model 6000) .....	1780671
10	Yoke & Tower Box Support .....	1730566	146'	Span Cable 8" Span (Model 6000) .....	1780672
11	Yoke & Control Rod .....	1730562	164'	Span Cable (Model 6000) .....	1780668
12	Alignment Shaft Assembly .....	1730559	128'	Span Cable 6-5/8" Span (Model 6000) .....	1780666
13	Brace .....	1730485	146'	Span Cable 6-5/8" Span (Model 6000) .....	1780667
14	Alignment Tube .....	1730571	183'	Span Cable (Model 6000) .....	1780669
15	Cable Attachment Assembly .....	1730572	201'	Span Cable (Model 6000) .....	1780670
16	3/8" x 7" Hook Bolt .....	0161366	20	Single Transition Chain .....	1730581
17	Pad .....	1730478	21	Hose Clamp 1-3/4" .....	0271064
18	Steel Washer .....	0141063	22	Bearing Sleeve .....	0933010
19	105' Span Cable - 8" & 6-5/8" System .....	1731008	23	Threaded Chain Connector .....	0323042

# ALIGNMENT CONTROL TOWER BOX HARDWARE



ITEM	DESCRIPTION	PART #
1	Tower Box Mounting Plate .....	1730577
2	5/16" Nut .....	0131037
3	5/16" Lock Washer .....	0141008
4	5/16" Flat Washer .....	0142017
5	5/16" Ball Joint Rod End R.H. ....	0992984
	5/16" Ball Joint Rod End R.H. (Stain. Steel)....	0996131
6	Adjustment Rod .....	1731232
7	5/16" - 24 Nut .....	0131068

# AUTO LINEAR, AUTO REVERSE PACKAGES



Auto Linear  
Pkg. 994

Auto Reverse  
Pkg. 995

All Auto Linear Parts  
apply to Auto Reverse  
except as indicated.

ITEM	DESCRIPTION	PART #
1	End Plate .....	1731062
2	3/4" x 7" U-Bolt .....	176048
3	Auto Linear Switch Mount .....	1731061
4	3/4" Hex Nut .....	131008
5	#10 x 2" R.H.M.S. ....	164137
6	Auto Linear Switch Assy. ....	1811862
7	#10 Nut .....	131055
8	Micro Switch Arm Lever .....	315623
9	3/8" x 7" "J" Hook .....	161366
10	Spring .....	181007
11	Swivel Arm Assy. ....	1731055
12	Stop Arm - 66" Long .....	1731068
13	A.R. - A.S. Switch .....	1811769
14	Stop Arm - 72" Long .....	1731069

